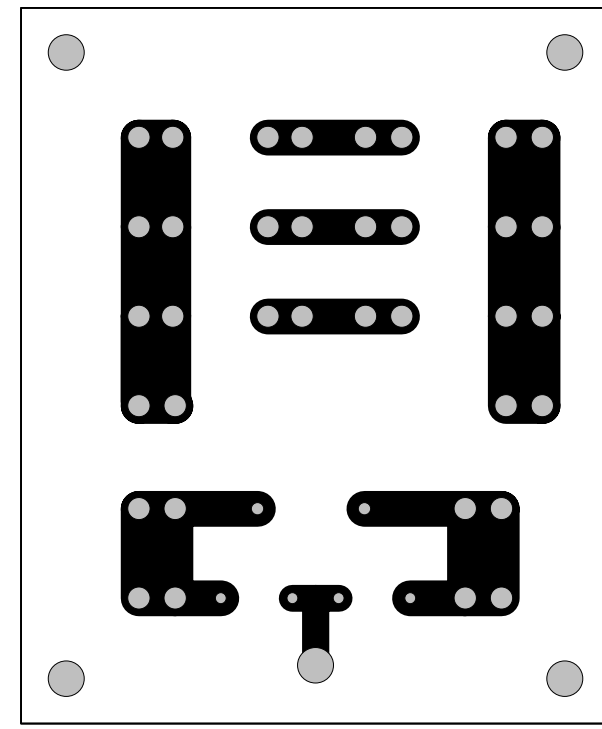
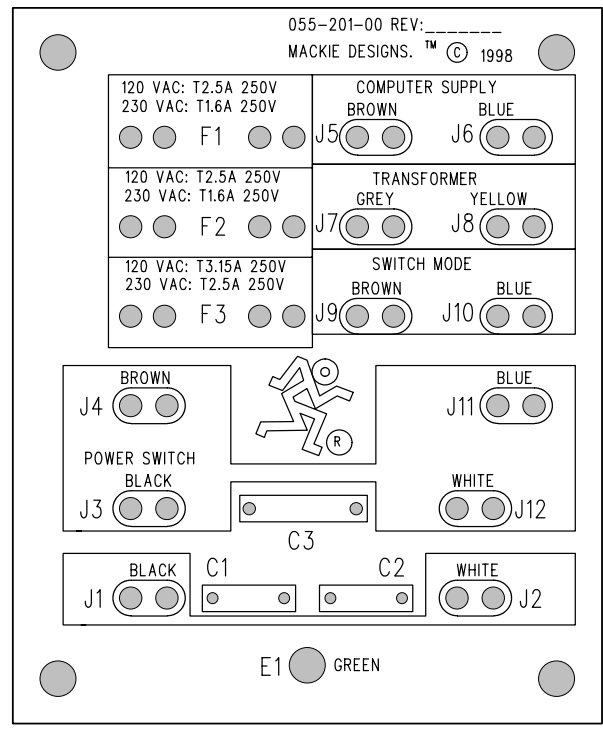
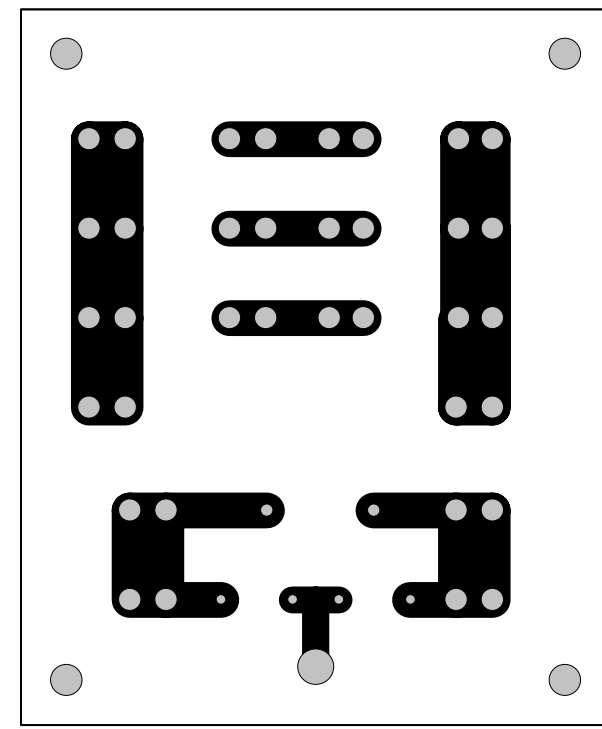
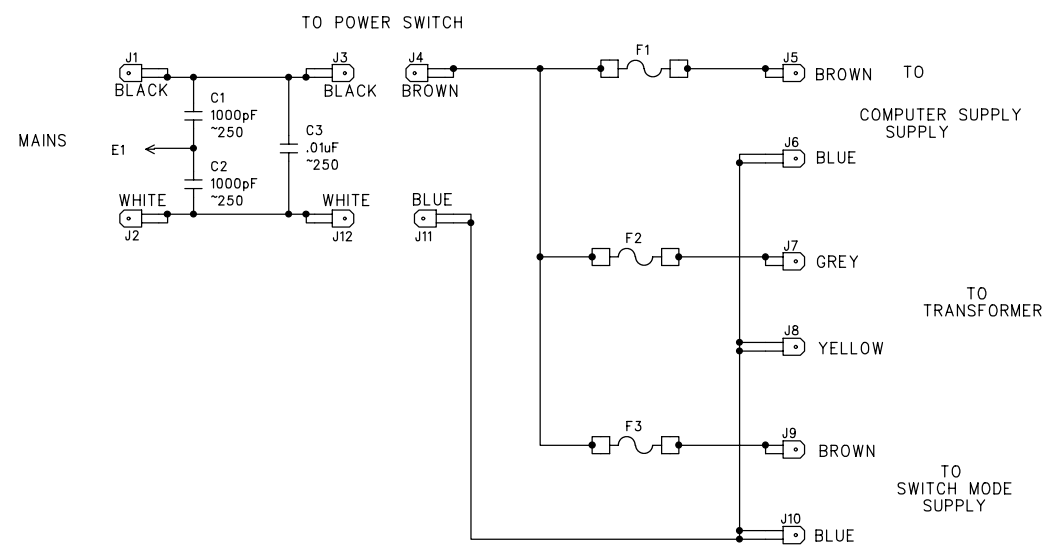


DWG. NO.	990-201-00	SHT	1	REV.	A	1
ECO#	REV:	DESCRIPTION	REV. BY:	APP. BY:	DATE	



Top Traces



Bottom Traces

- 040-135-00 DIS 18ga. GRNYL 4" LGTH
- 400-060-00 FUSE CLIP 5X20
- 400-060-00 FUSE CLIP 5X20
- 400-060-00 FUSE CLIP 5X20
- 400-060-00 FUSE CLIP 5X20
- 400-060-00 FUSE CLIP 5X20
- 400-060-00 FUSE CLIP 5X20
- 450-201-00 FUSE BOARD REV.A

APPROVALS	DATE	MACKIE Mackie Designs Inc. Woodinville, Wa.		
DRAWN: WGW	6-12-98			
CHECKED:		SCHEMATIC POWER DISTRIBUTION DIGITAL 8 BUS POWER SUPPLY		
NP ENG:				
MATERIAL:				
MFG:				
MFG ENG:		SIZE SCALE: D NONE	DWG. NO. 990-201-00	REV. A
ISSUED:		DWG FILE:		SHEET 1 OF 1