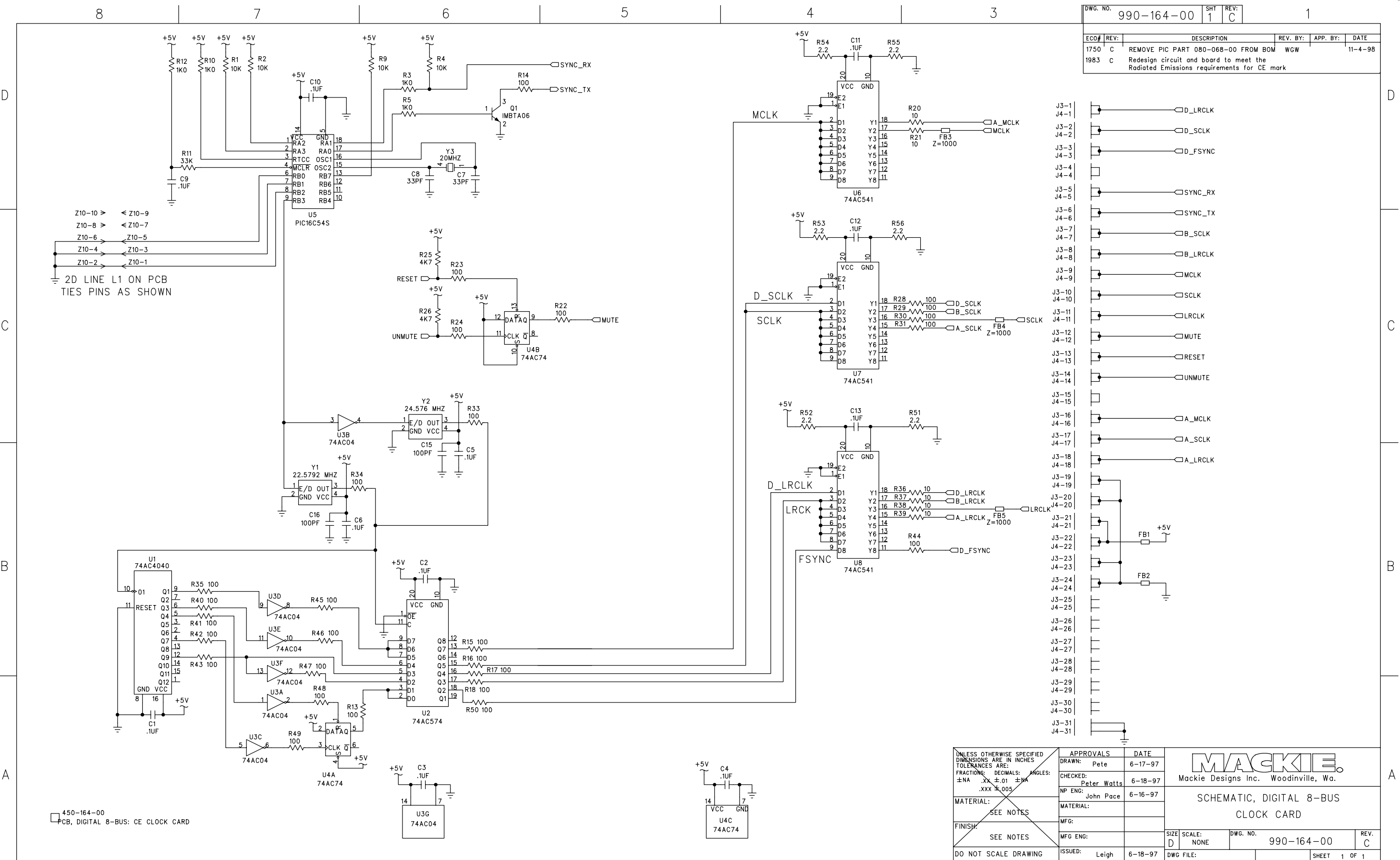


ECO#	REV.	DESCRIPTION	REV. BY:	APP. BY:	DATE
1750	C	REMOVE PIC PART 080-068-00 FROM BOM	WGW		11-4-98
1983	C	Redesign circuit and board to meet the Radiated Emissions requirements for CE mark			



- J3-1 D_LRCLK
- J4-1
- J3-2 D_SCLK
- J4-2
- J3-3 D_FSYNC
- J4-3
- J3-4
- J4-4
- J3-5 SYNC_RX
- J4-5
- J3-6 SYNC_TX
- J4-6
- J3-7 B_SCLK
- J4-7
- J3-8 B_LRCLK
- J4-8
- J3-9 MCLK
- J4-9
- J3-10 SCLK
- J4-10
- J3-11 LRCLK
- J4-11
- J3-12 MUTE
- J4-12
- J3-13 RESET
- J4-13
- J3-14 UNMUTE
- J4-14
- J3-15
- J4-15
- J3-16 A_MCLK
- J4-16
- J3-17 A_SCLK
- J4-17
- J3-18 A_LRCLK
- J4-18
- J3-19
- J4-19
- J3-20
- J4-20
- J3-21
- J4-21
- J3-22 +5V
- J4-22
- J3-23
- J4-23
- J3-24
- J4-24
- J3-25
- J4-25
- J3-26
- J4-26
- J3-27
- J4-27
- J3-28
- J4-28
- J3-29
- J4-29
- J3-30
- J4-30
- J3-31
- J4-31

UNLESS OTHERWISE SPECIFIED DIMENSIONS ARE IN INCHES TOLERANCES ARE: FRACTIONS: DECIMALS: ANGLES: ±NA .XX ±.01 ±NA .XXX ±.005	APPROVALS	DATE	 Mackie Designs Inc. Woodinville, Wa. SCHEMATIC, DIGITAL 8-BUS CLOCK CARD
	DRAWN: Pete	6-17-97	
	CHECKED: Peter Watts	6-18-97	
	NP ENG: John Pace	6-16-97	
MATERIAL: SEE NOTES	MATERIAL:		SIZE SCALE: NONE DWG. NO. 990-164-00 REV. C
FINISH: SEE NOTES	MFG:		
DO NOT SCALE DRAWING	MFG ENG:		
	ISSUED: Leigh	6-18-97	DWG FILE: SHEET 1 OF 1

