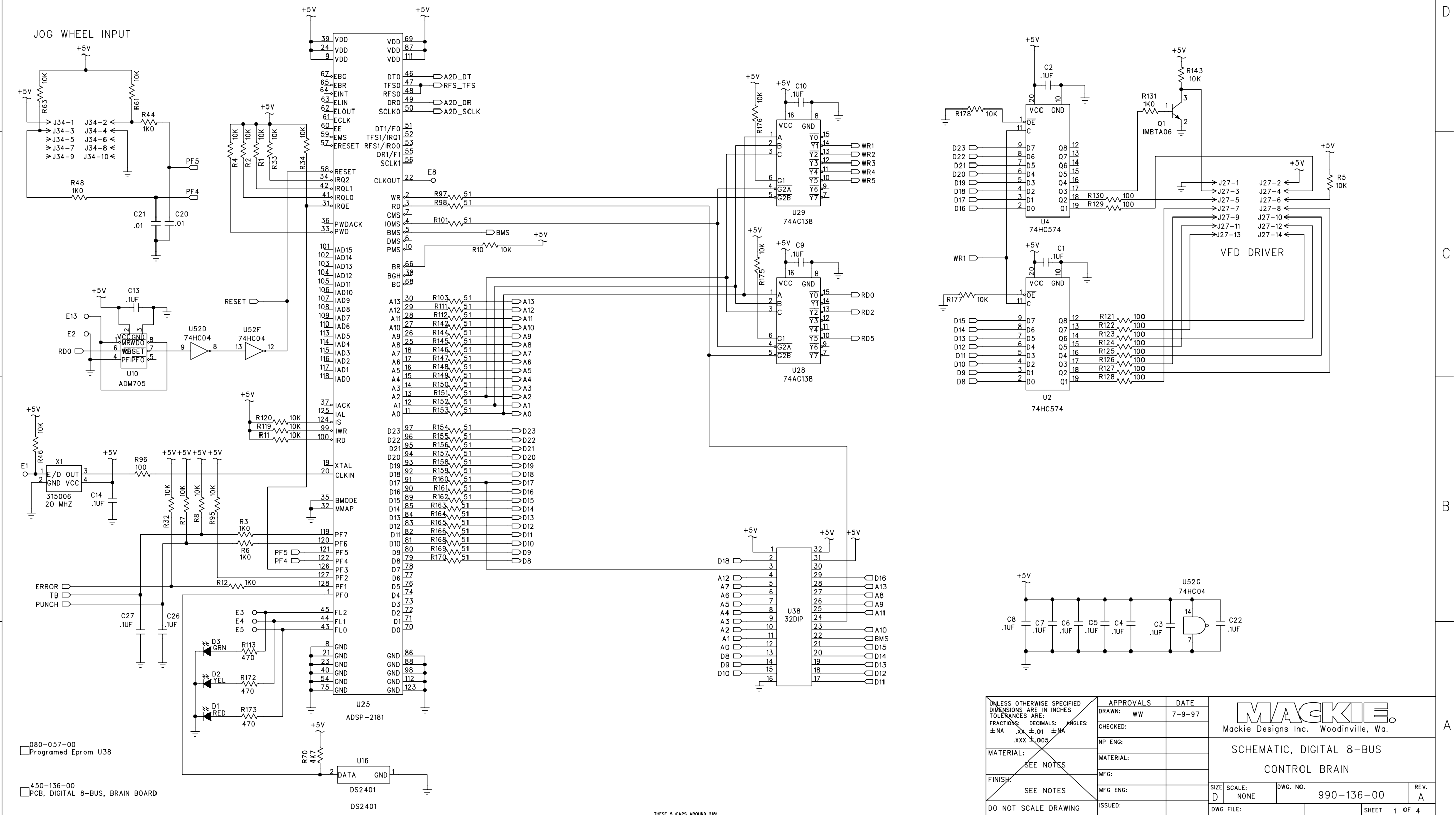
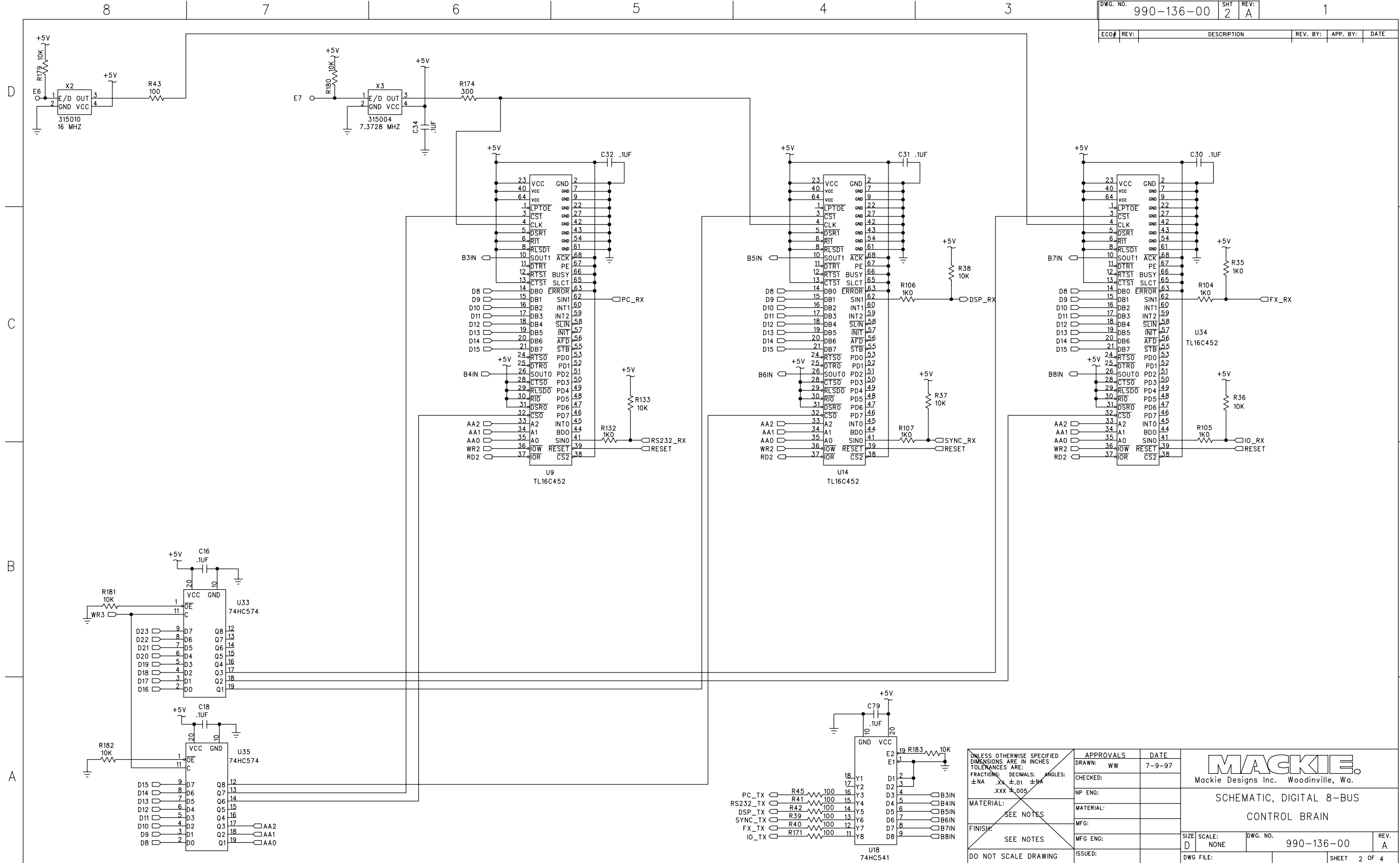


DWG. NO.	990-136-00	SHT	1	REV:	A	1
ECO#	REV:	DESCRIPTION	REV. BY:	APP. BY:	DATE	

D
C
B
A

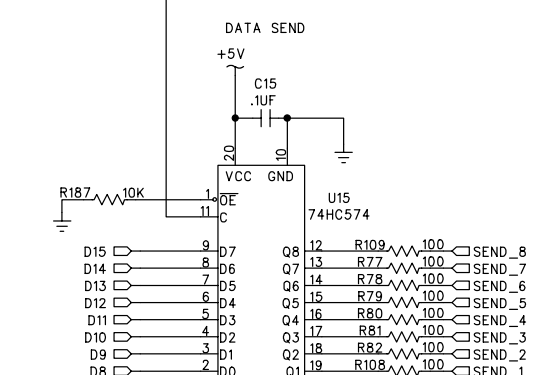
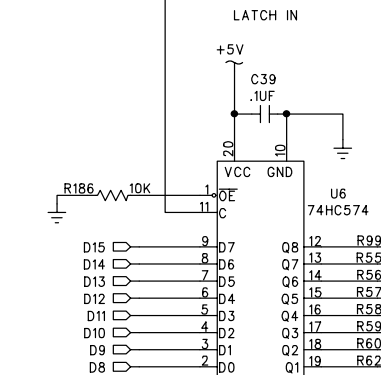
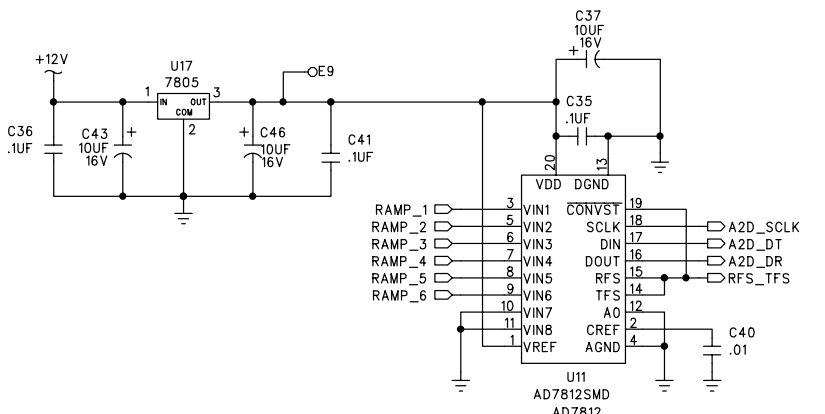
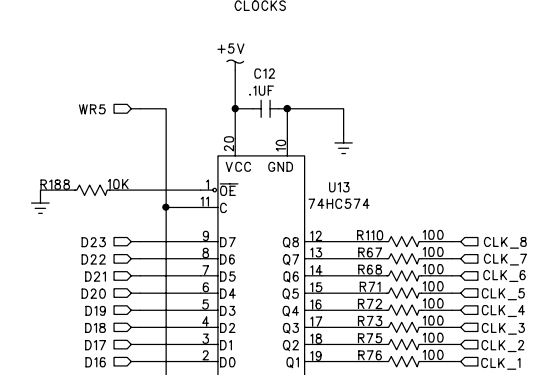
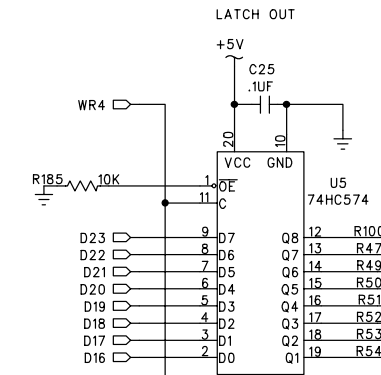
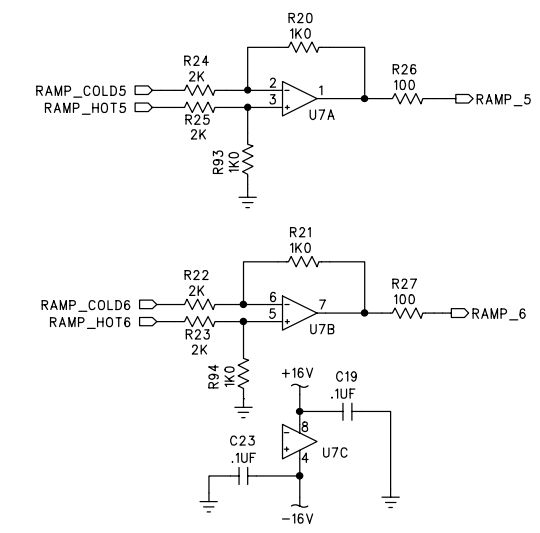
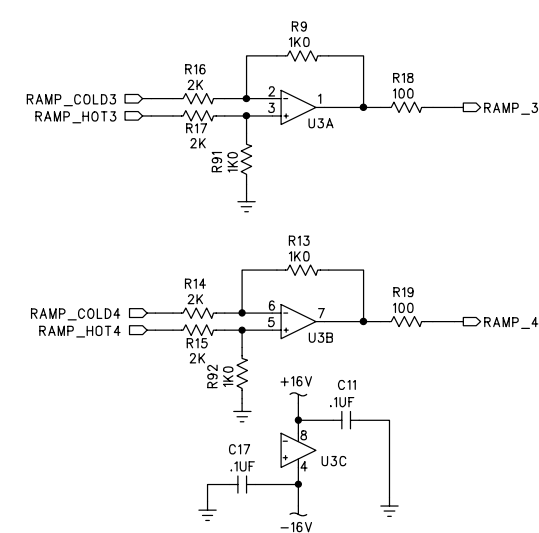
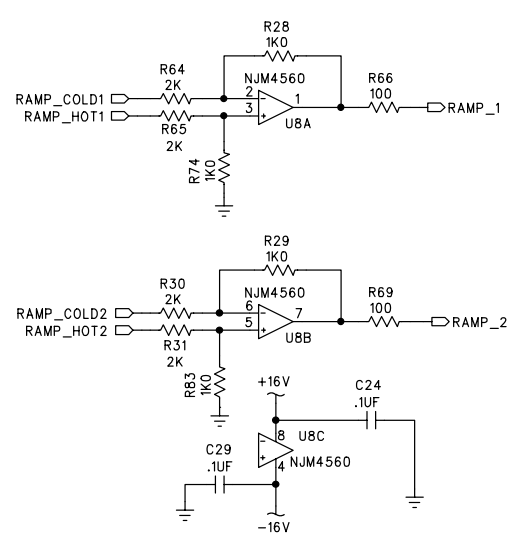
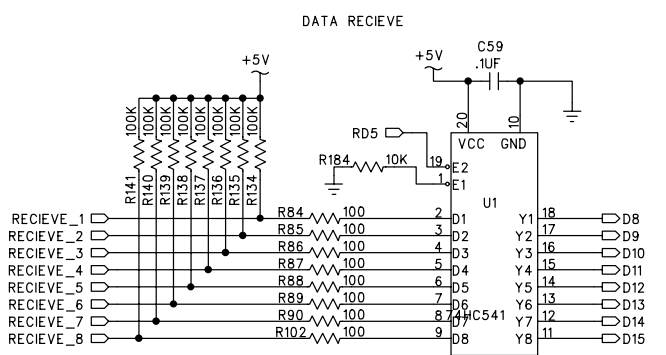


UNLESS OTHERWISE SPECIFIED DIMENSIONS ARE IN INCHES TOLERANCES ARE: FRACTIONS: DECIMALS: ANGLES: ±.NA .XX ±.01 ±.NA .XXX ±.005	APPROVALS	DATE	MACKIE Mackie Designs Inc. Woodville, Wa.
	DRAWN: WW	7-9-97	
	CHECKED:		
	NP ENG:		
MATERIAL:	MATERIAL:		SCHEMATIC, DIGITAL 8-BUS CONTROL BRAIN
SEE NOTES	MFG:		
FINISH:	MFG ENG:		SIZE SCALE: D NONE
DO NOT SCALE DRAWING	ISSUED:		DWG. NO. 990-136-00
			REV. A
			DWG FILE:
			SHEET 1 OF 4



UNLESS OTHERWISE SPECIFIED DIMENSIONS ARE IN INCHES TOLERANCES ARE: FRACTIONS: .XX ±.01 ±.04 DECIMALS: .XXX ±.005 ANGLES: .xxx ±.005	APPROVALS	DATE	
	DRAWN: WW	7-9-97	
	CHECKED:		
	NP ENG:		
MATERIAL:	MATERIAL:		SCHEMATIC, DIGITAL 8-BUS CONTROL BRAIN
SEE NOTES	MFG:		
FINISH:	MFG ENG:		SIZE: D
DO NOT SCALE DRAWING	ISSUED:		SCALE: NONE
			DWG. NO. 990-136-00
			REV. A
			SHEET 2 OF 4

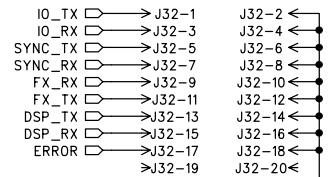
ECO#	REV.	DESCRIPTION	REV. BY:	APP. BY:	DATE



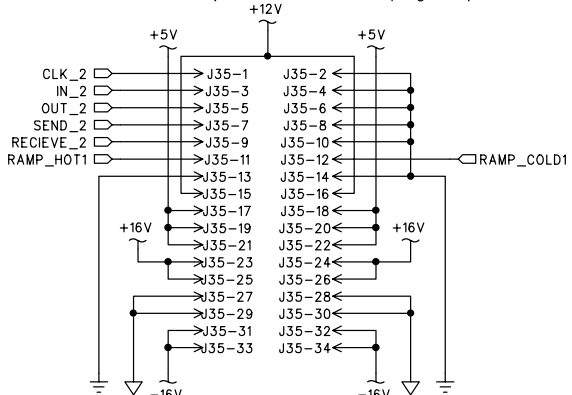
UNLESS OTHERWISE SPECIFIED DIMENSIONS ARE IN INCHES TOLERANCES ARE: FRACTIONS: DECIMALS: ANGLES: ±NA .XX ±.01 ±NA .XXX ±.005	APPROVALS:	DATE:	 Mackie Designs Inc. Woodinville, Wa.
	DRAWN: WW	7-9-97	
	CHECKED:		
	NP ENG:		
MATERIAL: SEE NOTES	MATERIAL:		SCHEMATIC, DIGITAL 8-BUS CONTROL BRAIN
FINISH: SEE NOTES	MFG:		
DO NOT SCALE DRAWING	MFG ENG:		SIZE: D
	ISSUED:		SCALE: NONE
			DWG. NO. 990-136-00
			REV. A
			DWG FILE:
			SHEET 3 OF 4

ECO#	REV:	DESCRIPTION	REV. BY:	APP. BY:	DATE

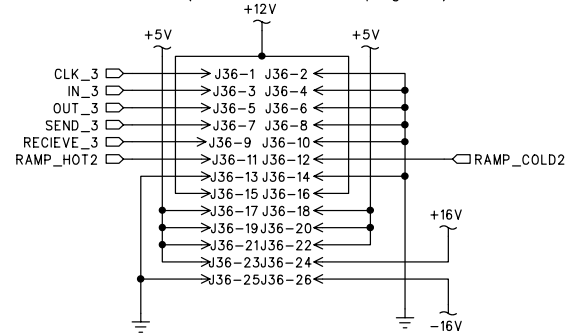
SYNC CARD (to U34 page 2)



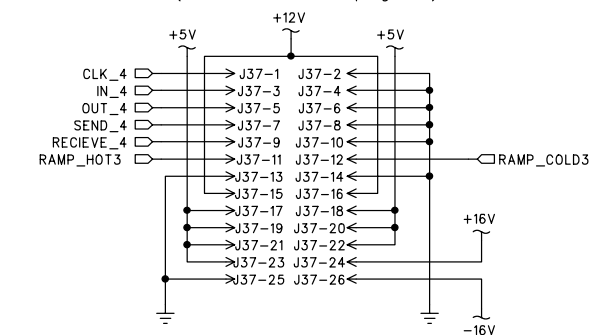
OUTPUT CARD (to U5-7,11,31 page 3)



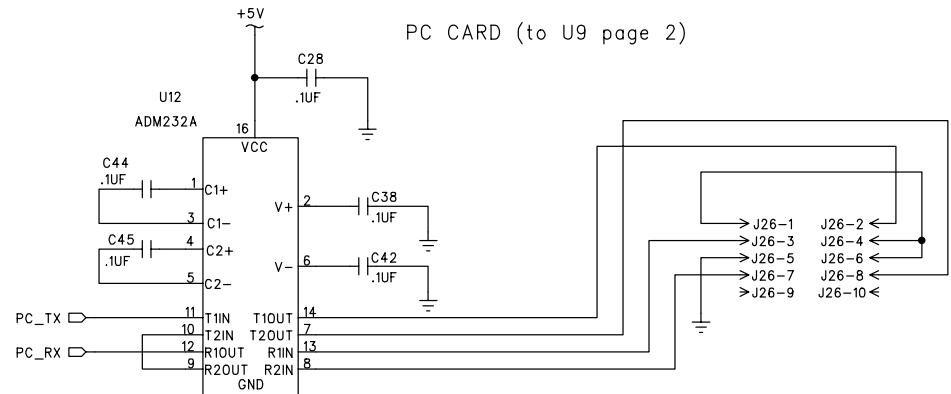
LINE CARD (to U5-7,11,31 page 3)



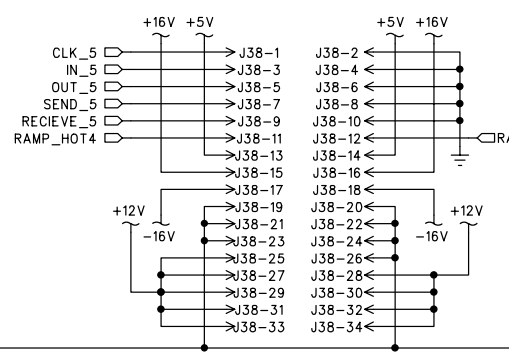
MIC CARD (to U5-7,11,31 page 3)



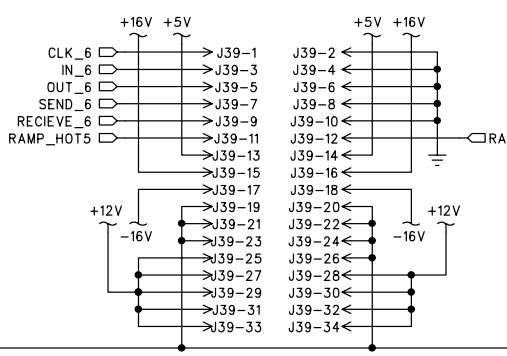
PC CARD (to U9 page 2)



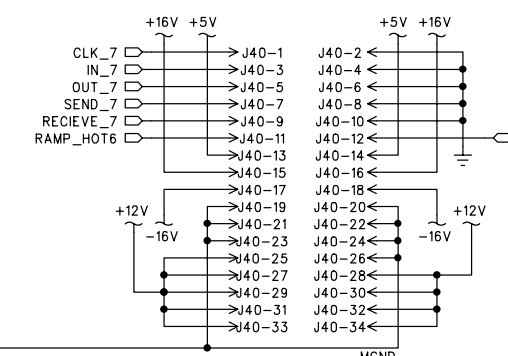
FADER 1 (to U5-7,11,31 page 3)



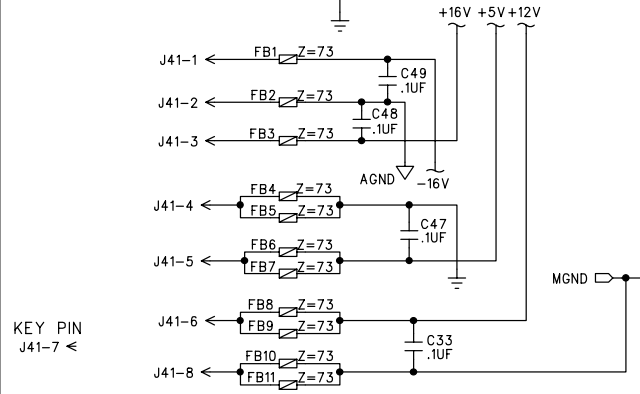
FADER 2 (to U5-7,11,31 page 3)



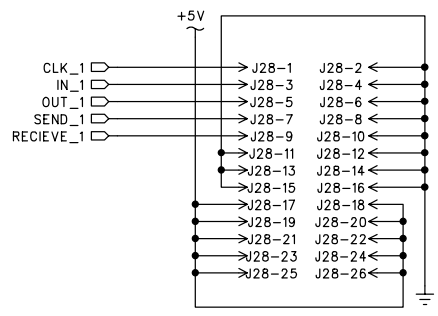
FADER 3 (to U5-7,11,31 page 3)



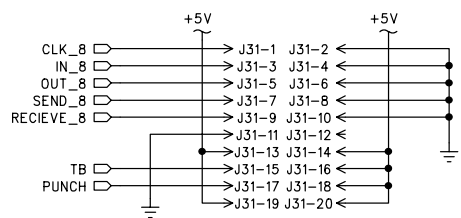
POWER CARD



METER CARD (to U5-7,11,31 page 3)



DCA CARD (to U5-7,11,31 page 3)



UNLESS OTHERWISE SPECIFIED DIMENSIONS ARE IN INCHES TOLERANCES ARE: FRACTIONS: XX ±.01 ±MA DECIMALS: .XXX ±.005 ANGLES: MATERIAL: FINISH: DO NOT SCALE DRAWING	APPROVALS	DATE	<p>Mackie Designs Inc. Woodinville, Wa.</p> <p>SCHEMATIC, DIGITAL 8-BUS CONTROL BRAIN</p>			
	DRAWN: WW	7-9-97				
	CHECKED:					
	NP ENG:					
MFG:			SIZE D	SCALE: NONE	DWG. NO. 990-136-00	REV. A
ISSUED:			DWG FILE:		SHEET 4 OF 4	

