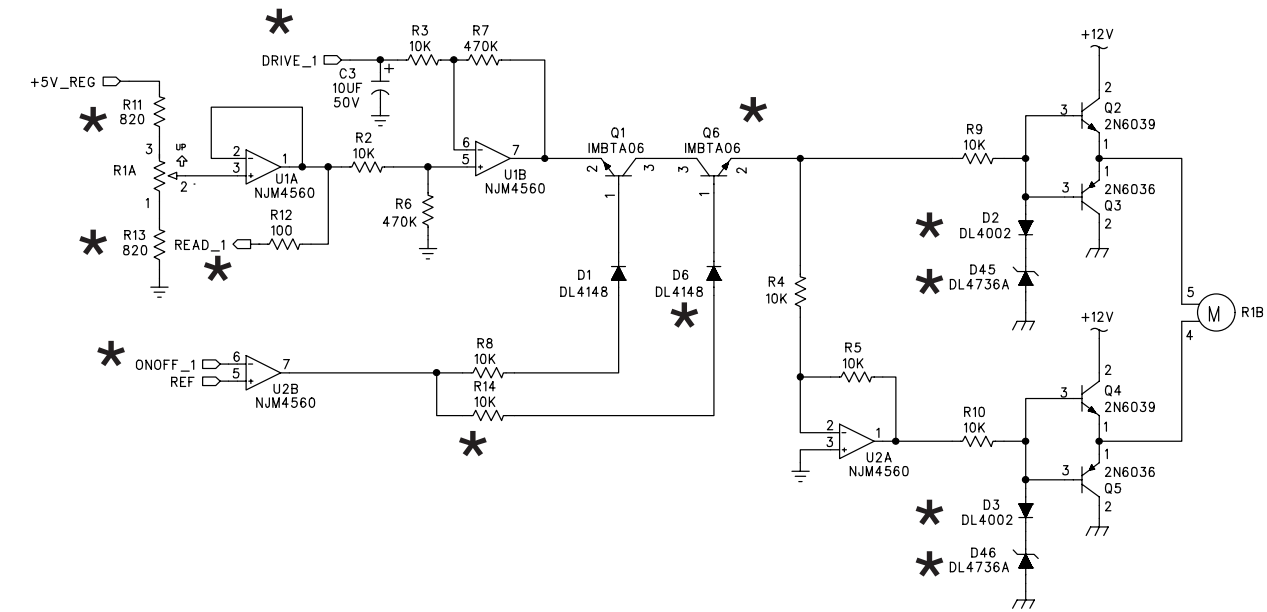


| | | | | | | |
|----------|------------|-------------|----------|----------|------|---|
| DWG. NO. | 990-125-00 | SHT | 1 | REV: | 3 | 1 |
| ECO# | REV: | DESCRIPTION | REV. BY: | APP. BY: | DATE | |

* Points marked with an asterisk are shown in the table, the other reference designators change by 100's



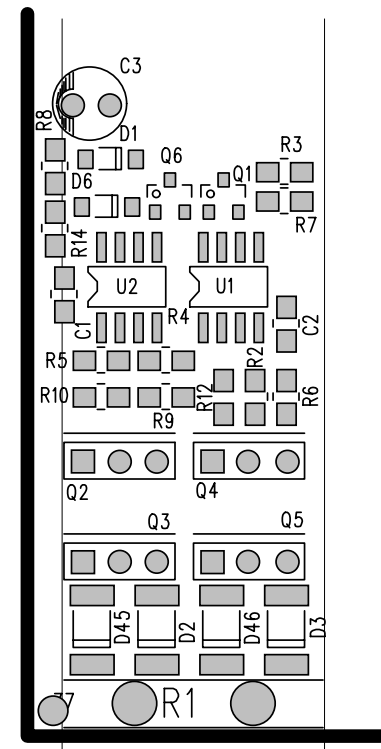
* TABLE OF DIFFERENCES BETWEEN FADERS

| FADER 1 | FADER 2 | FADER 3 | FADER 4 | FADER 5 | FADER 6 | FADER 7 | FADER 8 | FADER 9 |
|----------|----------|----------|----------|----------|----------|----------|----------|----------|
| R11 | R15 | R19 | R23 | R27 | R49 | R51 | R53 | R55 |
| R13 | R17 | R21 | R25 | R29 | R50 | R52 | R54 | R56 |
| DRIVE_1 | DRIVE_2 | DRIVE_3 | DRIVE_4 | DRIVE_5 | DRIVE_6 | DRIVE_7 | DRIVE_8 | DRIVE_9 |
| READ_1 | READ_2 | READ_3 | READ_4 | READ_5 | READ_6 | READ_7 | READ_8 | READ_9 |
| ON/OFF_1 | ON/OFF_2 | ON/OFF_3 | ON/OFF_4 | ON/OFF_5 | ON/OFF_6 | ON/OFF_7 | ON/OFF_8 | ON/OFF_9 |
| R14 | R16 | R18 | R20 | R22 | R24 | R26 | R28 | R30 |
| D6 | D7 | D8 | D9 | D10 | D11 | D12 | D13 | D14 |
| Q6 | Q7 | Q8 | Q9 | Q10 | Q11 | Q12 | Q13 | Q14 |
| D2 | D4 | D15 | D17 | D19 | D21 | D23 | D25 | D27 |
| D45 | D43 | D41 | D39 | D37 | D35 | D33 | D31 | D29 |
| D3 | D5 | D16 | D18 | D20 | D22 | D24 | D26 | D28 |
| D46 | D44 | D42 | D40 | D38 | D36 | D34 | D32 | D30 |

SHOWN

| FADER | PARTS RANGE | EXAMPLE |
|-------|--------------|------------|
| 1 | IN THE 100'S | R3, C3 |
| 2 | IN THE 200'S | R203, C203 |
| 8 | IN THE 800'S | R803, C803 |

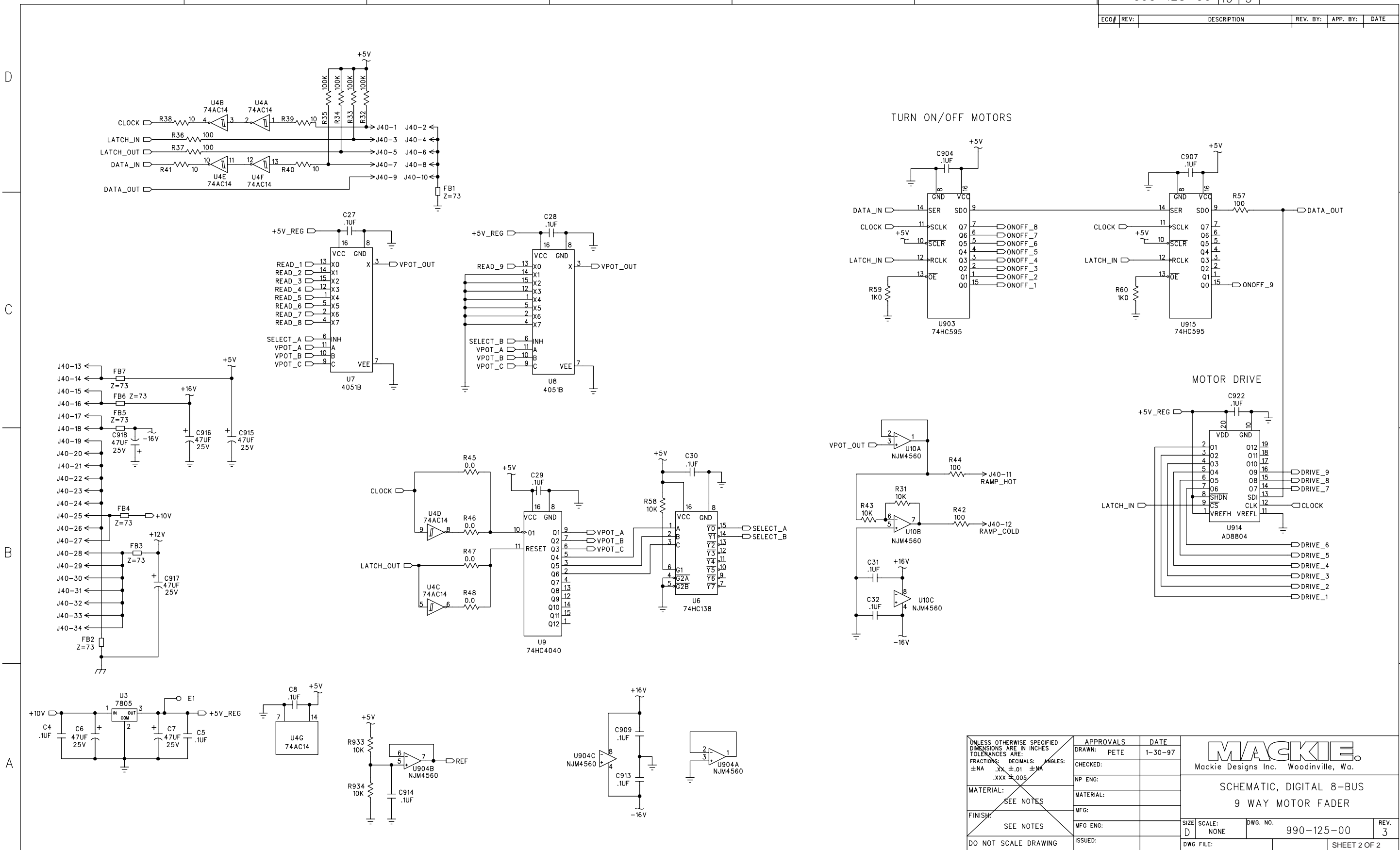
SHOWN



450-125-00
PCB, DIGITAL 8-BUS: 9-WAY FADER

| | | | |
|---|-------------|---------|---|
| UNLESS OTHERWISE SPECIFIED DIMENSIONS ARE IN INCHES TOLERANCES ARE: FRACTIONS: DECIMALS: ANGLES: ±NA .XX ±.01 ±NA .XXX ±.005 | APPROVALS | DATE | <p>Mackie Designs Inc. Woodinville, Wa.</p> <p>SCHEMATIC, DIGITAL 8-BUS 9 WAY MOTOR FADER</p> |
| | DRAWN: PETE | 1-30-97 | |
| | CHECKED: | | |
| | NP ENG: | | |
| MATERIAL: | MATERIAL: | | SIZE SCALE: DWG. NO. REV. D NONE 990-125-00 3 |
| SEE NOTES | MFG: | | |
| FINISH: | MFG ENG: | | DWG. NO. 990-125-00 REV. 3 SHEET 1 OF 2 |
| SEE NOTES | ISSUED: | | |
| DO NOT SCALE DRAWING | | | |

| ECO# | REV: | DESCRIPTION | REV. BY: | APP. BY: | DATE |
|------|------|-------------|----------|----------|------|
|------|------|-------------|----------|----------|------|



| | | | |
|---|-------------|---------|---|
| UNLESS OTHERWISE SPECIFIED DIMENSIONS ARE IN INCHES TOLERANCES ARE: FRACTIONS: DECIMALS: ANGLES: ±NA .XX ±.01 ±MA .XXX ±.005 | APPROVALS | DATE | <p>Mackie Designs Inc. Woodinville, Wa.</p> |
| | DRAWN: PETE | 1-30-97 | |
| | CHECKED: | | |
| | NP ENG: | | |
| MATERIAL: | MATERIAL: | | SCHEMATIC, DIGITAL 8-BUS 9 WAY MOTOR FADER |
| SEE NOTES | MFG: | | |
| FINISH: | MFG ENG: | | SIZE D SCALE: NONE |
| DO NOT SCALE DRAWING | ISSUED: | | DWG. NO. 990-125-00 |
| | | | REV. 3 |
| | | | DWG FILE: |
| | | | SHEET 2 OF 2 |

