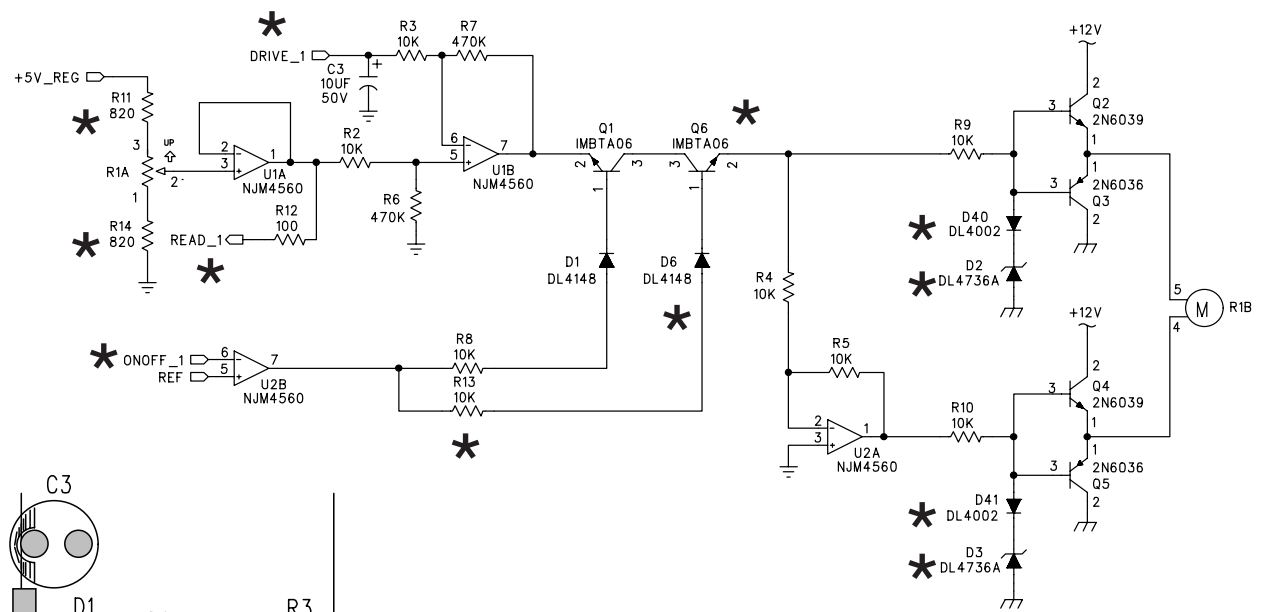
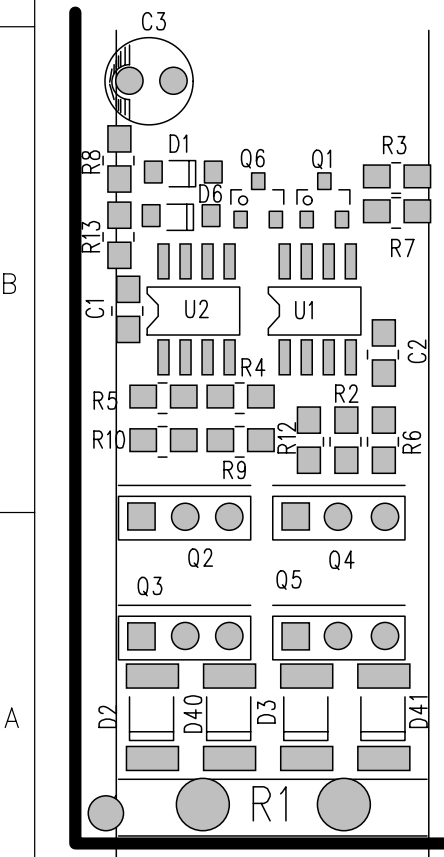


\* Points marked with an asterisk are shown in the table, the other reference designators change by 100's

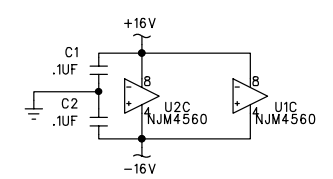
\* TABLE OF DIFFERENCES BETWEEN FADERS



FADER 1	FADER 2	FADER 3	FADER 4	FADER 5	FADER 6	FADER 7	FADER 8
R11	R15	R20	R23	R27	R48	R50	R52
R14	R18	R22	R26	R43	R49	R51	R53
DRIVE_1	DRIVE_2	DRIVE_3	DRIVE_4	DRIVE_5	DRIVE_6	DRIVE_7	DRIVE_8
READ_1	READ_2	READ_3	READ_4	READ_5	READ_6	READ_7	READ_8
ON/OFF_1	ON/OFF_2	ON/OFF_3	ON/OFF_4	ON/OFF_5	ON/OFF_6	ON/OFF_7	ON/OFF_8
R13	R16	R17	R19	R21	R24	R25	R28
D6	D7	D8	D9	D10	D11	D12	D13
Q6	Q7	Q8	Q9	Q10	Q11	Q12	Q13
D40	D38	D36	D34	D32	D30	D29	D26
D2	D4	D14	D16	D18	D20	D22	D24
D41	D39	D37	D35	D33	D31	D28	D27
D3	D5	D15	D17	D19	D21	D23	D25



If you are partial, this is a partial pcb portion, the full pcb is shown elsewhere.

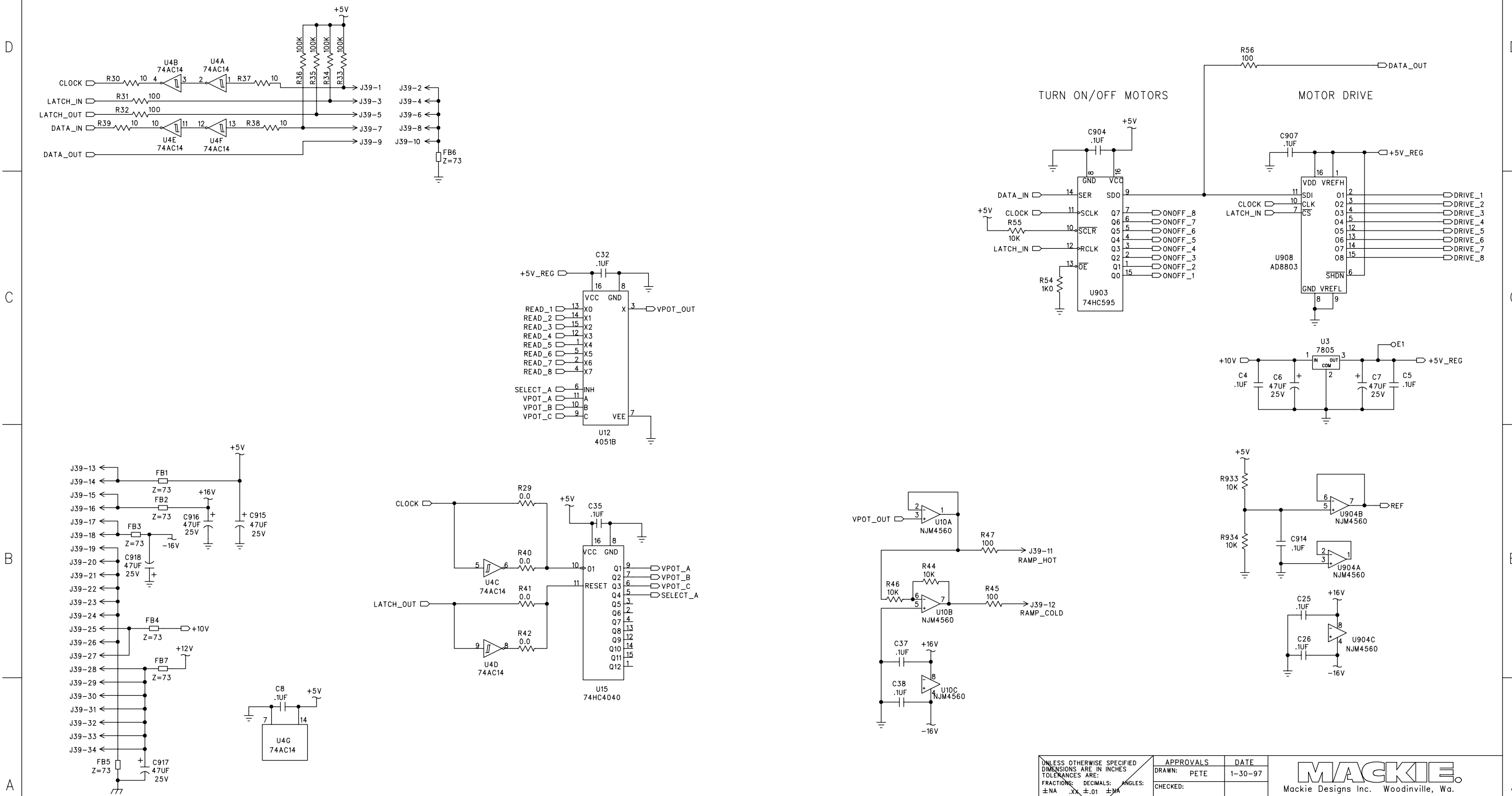


FADER	PARTS RANGE	EXAMPLE	SHOWN
1	IN THE 100'S	R3, C3	
2	IN THE 200'S	R203, C203	
8	IN THE 800'S	R803, C803	

UNLESS OTHERWISE SPECIFIED DIMENSIONS ARE IN INCHES TOLERANCES ARE: FRACTIONS: DECIMALS: ANGLES: ±NA .XX ±.01 ±NA .XXX ±.005	APPROVALS	DATE	<b>MACKIE</b> Mackie Designs Inc. Woodinville, Wa.
	DRAWN: PETE	1-30-97	
	CHECKED:		
	NP ENG:		
MATERIAL:	MATERIAL:		SCHEMATIC, DIGITAL 8-BUS 8 WAY MOTOR FADER
SEE NOTES	MFG:		
FINISH:	MFG ENG:		SIZE SCALE: D NONE
DO NOT SCALE DRAWING	ISSUED:		DWG. NO. 990-124-00
			REV. 3
			DWG FILE:
			SHEET 1 OF 2

450-124-00  
PCB, DIGITAL 8-BUS: 8-WAY FADER

ECO#	REV:	DESCRIPTION	REV. BY:	APP. BY:	DATE
------	------	-------------	----------	----------	------



UNLESS OTHERWISE SPECIFIED DIMENSIONS ARE IN INCHES TOLERANCES ARE: FRACTIONS: .XX ±.01 ±.04 DECIMALS: .xxx ±.005 ANGLES: ±.005	APPROVALS	DATE	<p>Mackie Designs Inc. Woodinville, Wa.</p> <p>SCHMATIC, DIGITAL 8-BUS 8 WAY MOTOR FADER</p>
	DRAWN: PETE	1-30-97	
	CHECKED:		
	NP ENG:		
MATERIAL:	MATERIAL:		SIZE: D SCALE: NONE DWG. NO. 990-124-00 REV. 3
SEE NOTES	MFG:		
SEE NOTES	MFG ENG:		DWG. FILE: SHEET 2 OF 2
DO NOT SCALE DRAWING	ISSUED:		

DIGITAL 8-BUS: 8-WAY FADER

055-124-00 REV: 1

© 1997

MACKIE DESIGNS.™

