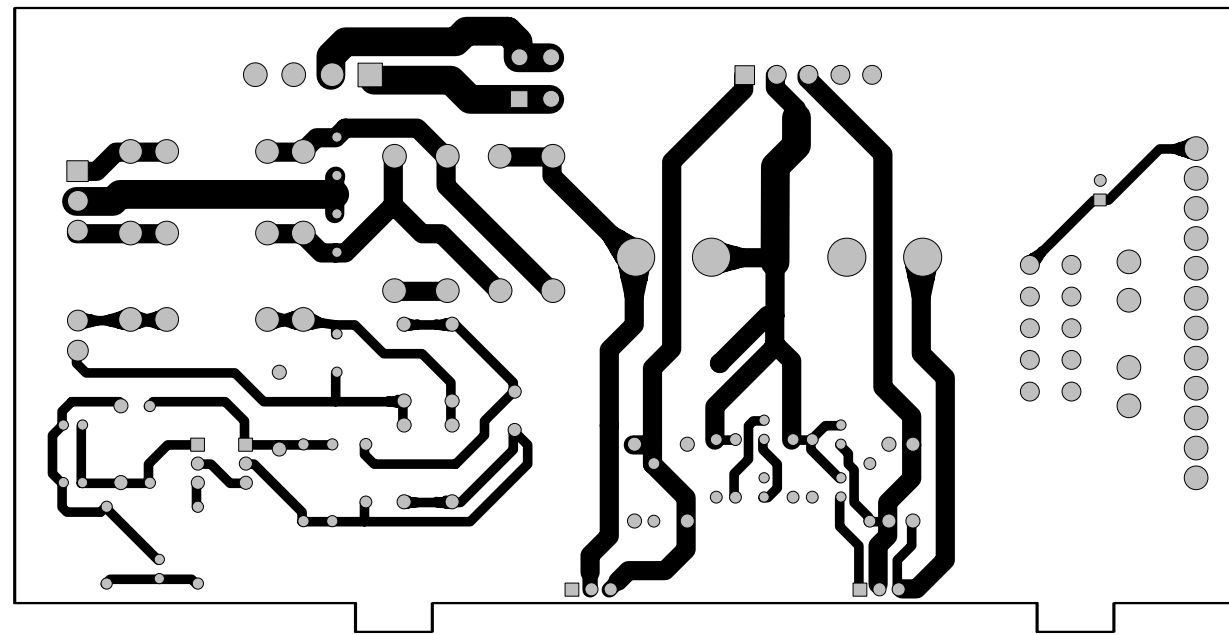
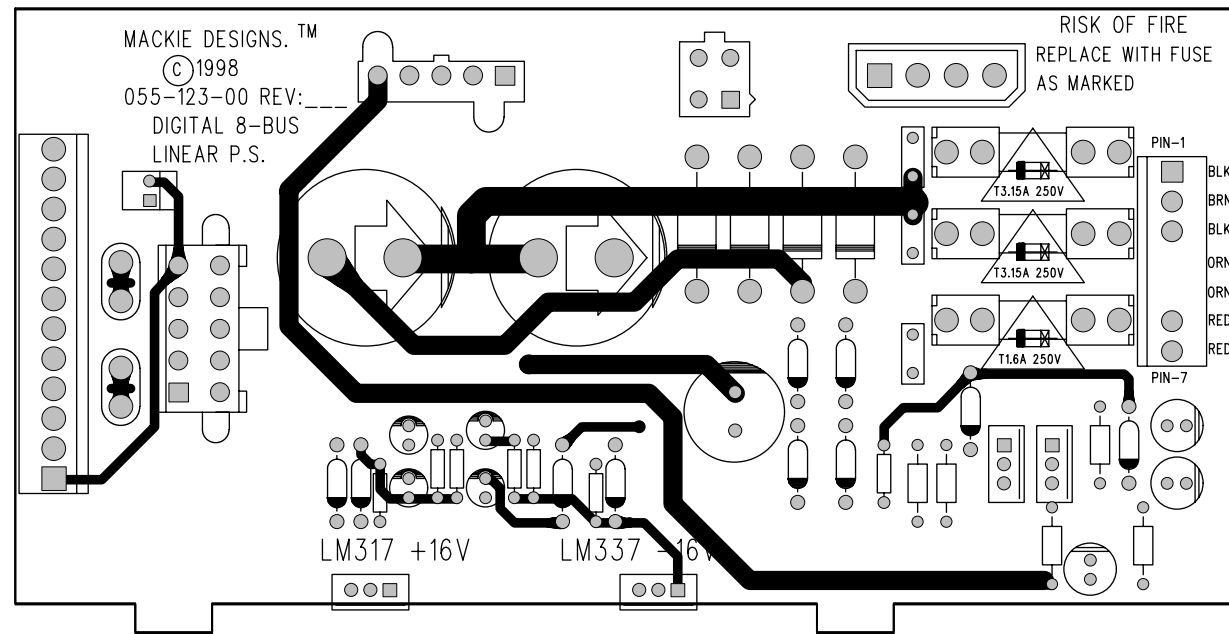


Top traces



Bottom traces