

TABLE OF DIFFERENCES BETWEEN CHANNELS

CHANNEL 13	CHANNEL 14	CHANNEL 15	CHANNEL 16	CHANNEL 17	CHANNEL 18	CHANNEL 19	CHANNEL 20	CHANNEL 21	CHANNEL 22	CHANNEL 23	CHANNEL 24
J6-7	J6-10	J6-13	J6-16	J6-19	J6-22	J6-25	J6-28	J6-31	J6-34	J6-37	J6-40
FB1	FB3	FB5	FB7	FB9	FB11	FB13	FB15	FB17	FB19	FB21	FB23
J6-6	J6-9	J6-12	J6-15	J6-18	J6-21	J6-24	J6-27	J6-30	J6-33	J6-36	J6-39
FB2	FB4	FB6	FB8	FB10	FB12	FB14	FB16	FB18	FB20	FB22	FB24

SHOWN

CHANNEL 13

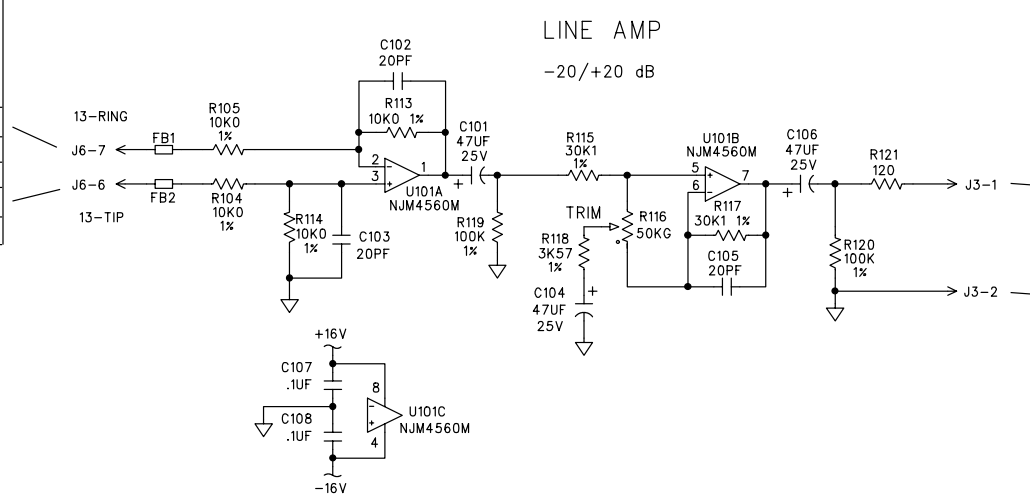


TABLE OF DIFFERENCES BETWEEN CHANNELS

CHANNEL 13	CHANNEL 14	CHANNEL 15	CHANNEL 16	CHANNEL 17	CHANNEL 18	CHANNEL 19	CHANNEL 20	CHANNEL 21	CHANNEL 22	CHANNEL 23	CHANNEL 24
J3-1	J3-3	J3-5	J3-7	J3-9	J3-11	J3-13	J3-15	J3-17	J3-19	J3-21	J3-23
J3-2	J3-4	J3-6	J3-8	J3-10	J3-12	J3-14	J3-16	J3-18	J3-20	J3-22	J3-24

SHOWN

THE CHANNELS 13 TO 24 ARE IDENTICAL EXCEPT FOR THE REFERENCE DESIGNATORS CHANGING BY 100'S AND THE LABELS CHANGING AS SHOWN IN THE TABLES.

REF DESIGNATOR DIFFERENCES BETWEEN CHANNELS

CHANNEL	PARTS RANGE	EXAMPLE
13	IN THE 100'S	R113, C102
14	IN THE 200'S	R213, C202
24	IN THE 1200'S	R1213, C1202

SHOWN

QUANTITY

- 12 706-033-01 STANDOFF, SWAGE, 4-40 X .542L
- 24 706-032-00 LED SPACER, NYLON .300
- 12 760-063-00 KNOB, V-POT
- 12 760-064-00 LENS, V-POT DISPLAY

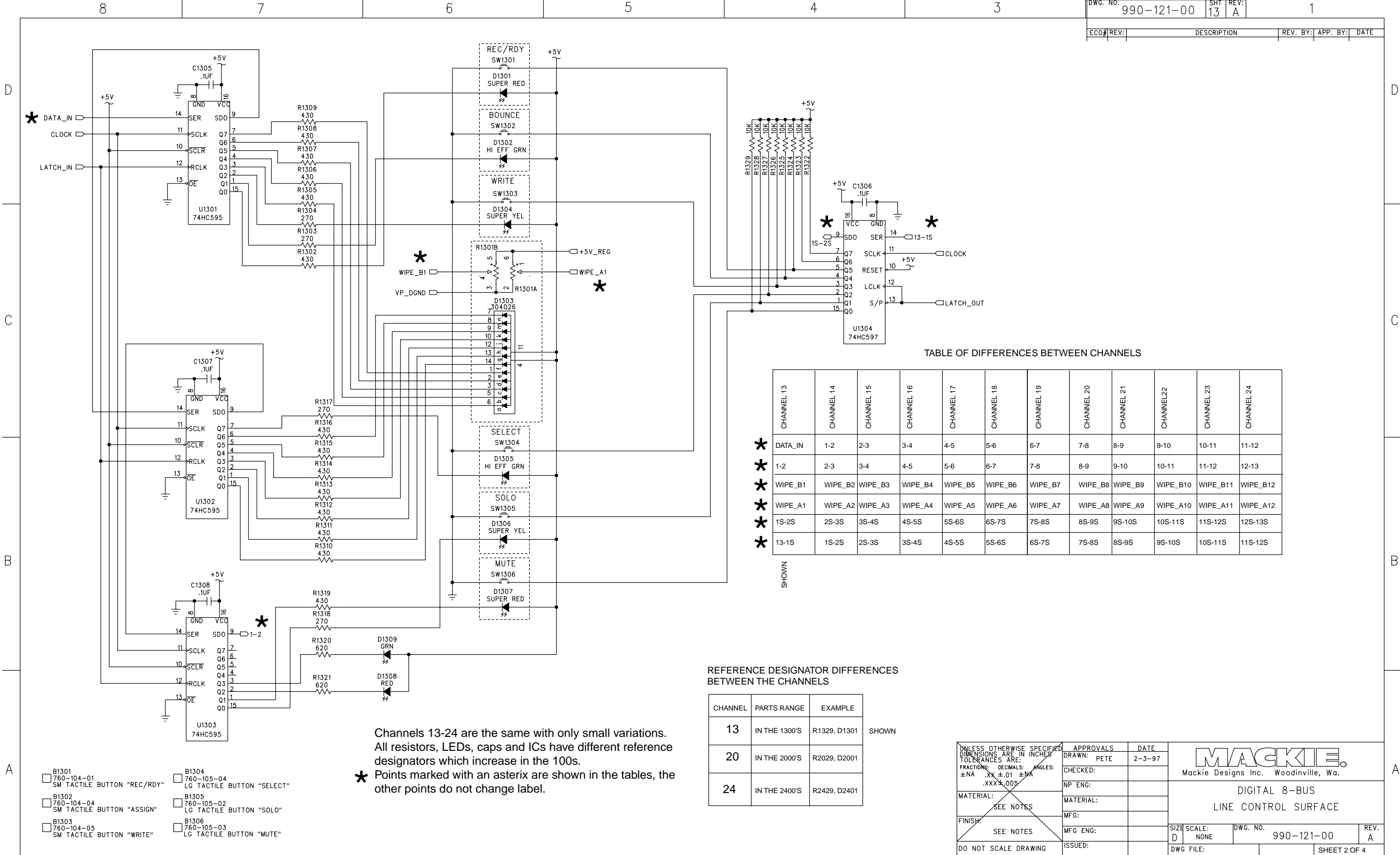
450-121-00 PCB, DIGITAL 8-BUS: LINE CONTROL SURFACE

UNLESS OTHERWISE SPECIFIED DIMENSIONS ARE IN INCHES TOLERANCES ARE: FRACTIONS: .XX ±.01 ±.02 DECIMALS: .XXX ±.005 ANGLES: ±.1°	APPROVALS	DATE
	DRAWN: PETE	12-16-96
	CHECKED:	
	NP ENG:	
MATERIAL:	MATERIAL:	
SEE NOTES	MFG:	
FINISH:	MFG ENG:	
SEE NOTES	ISSUED:	
DO NOT SCALE DRAWING		

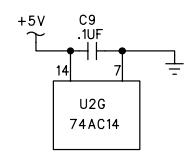
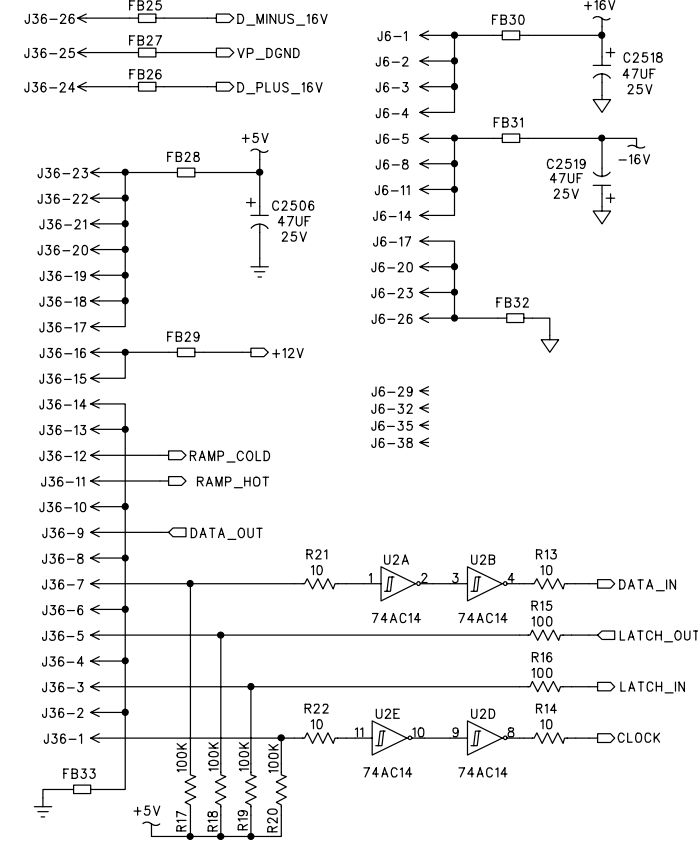
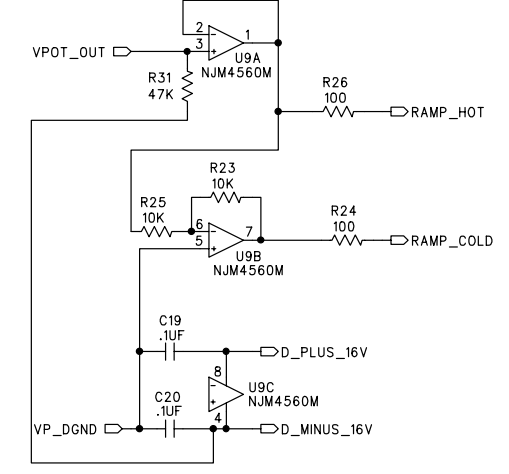
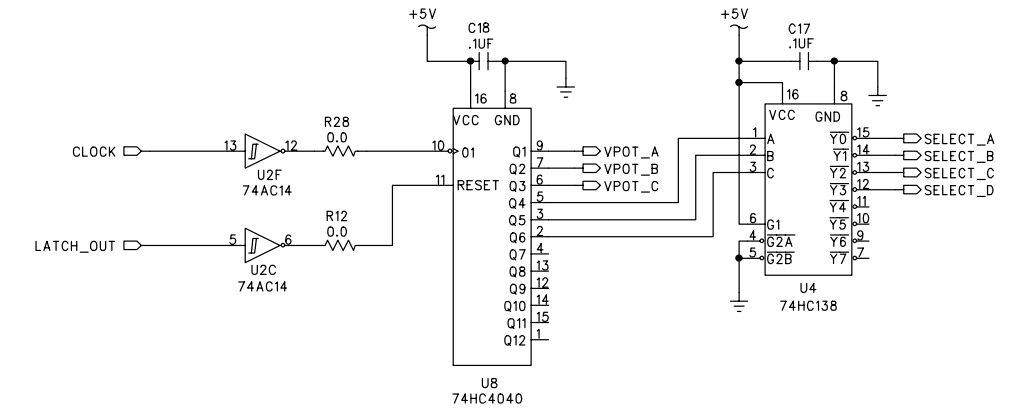
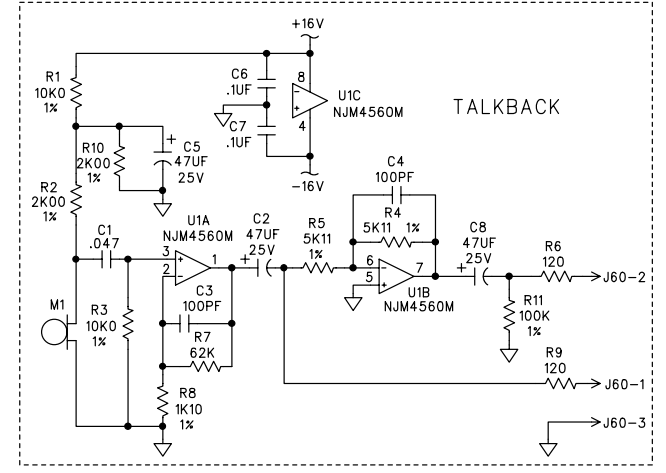
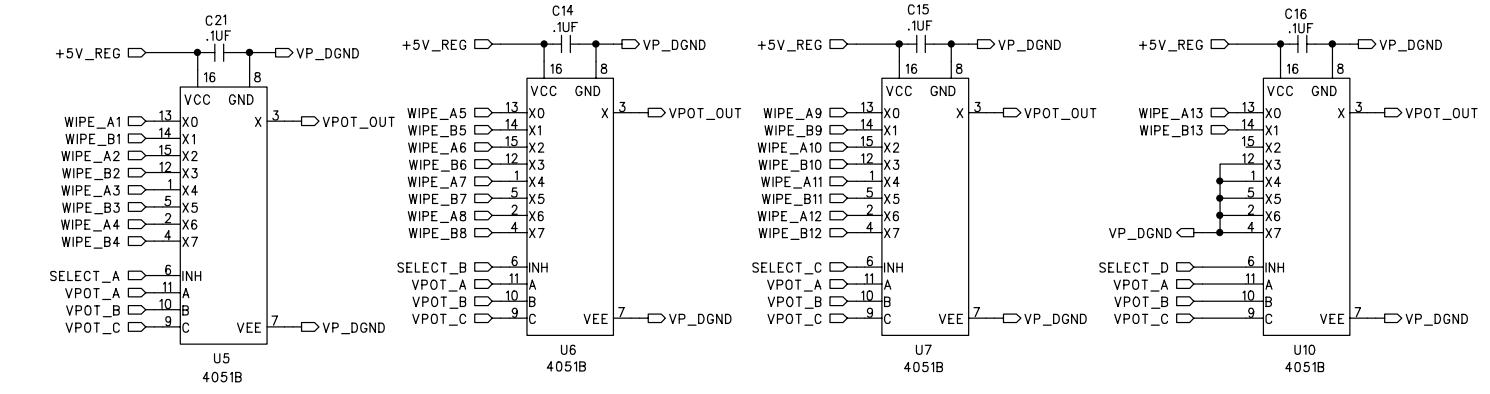


DIGITAL 8-BUS LINE CONTROL SURFACE

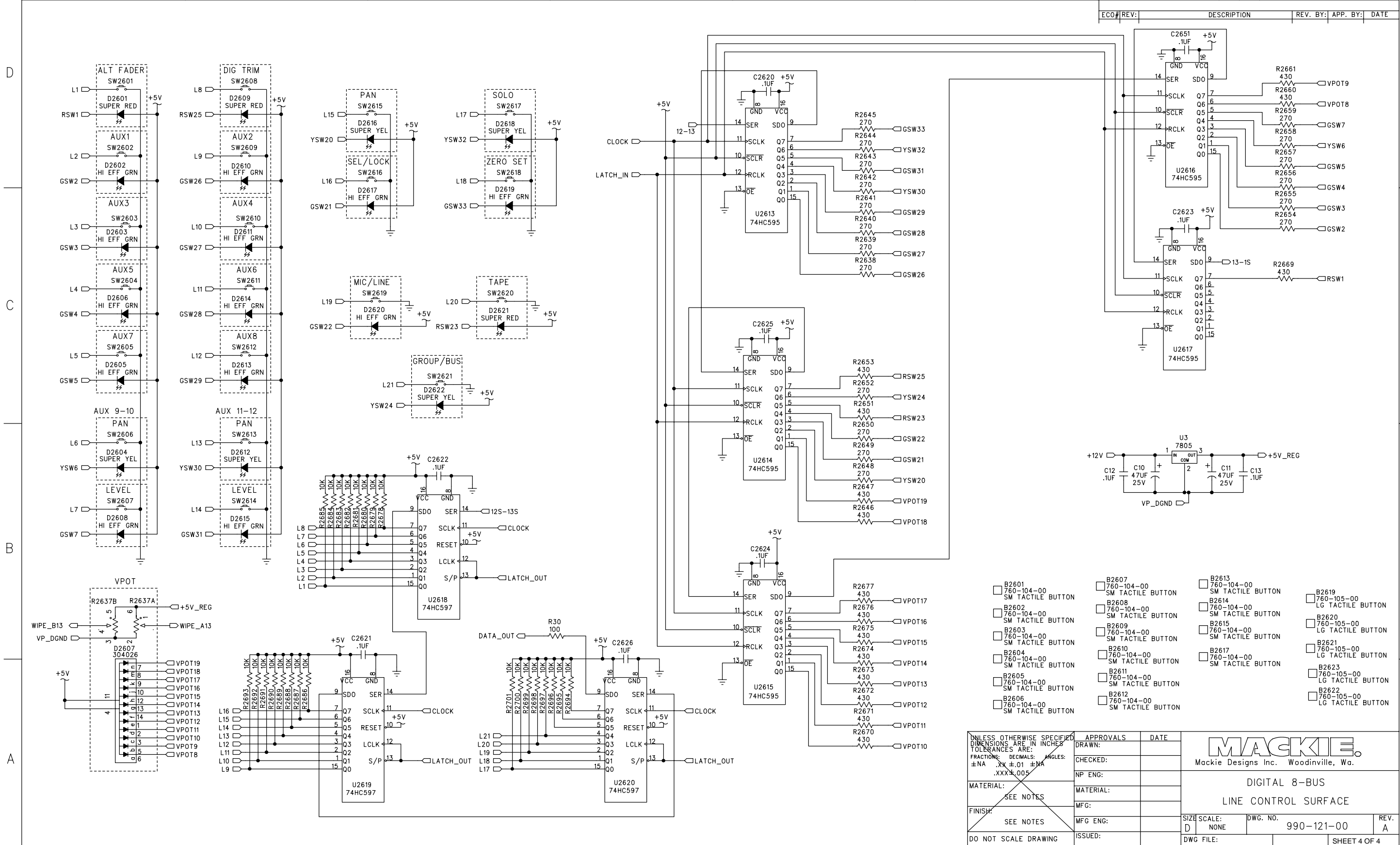
SIZE	SCALE: NONE	DWG. NO. 990-121-00	REV. A
D			
DWG FILE:		SHEET 1 OF 4	



ECO#	REV:	DESCRIPTION	REV. BY:	APP. BY:	DATE

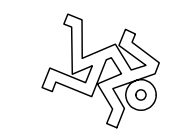
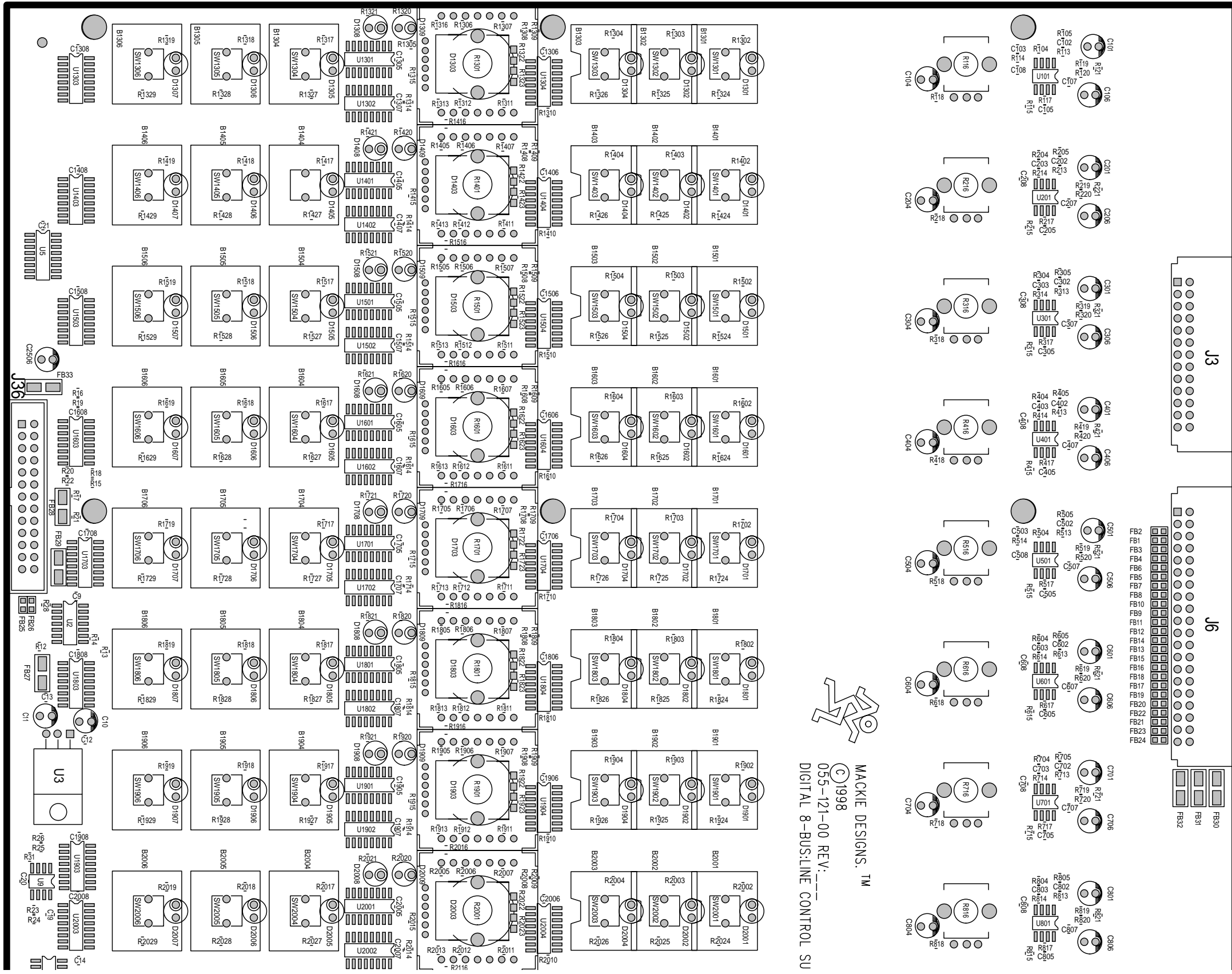
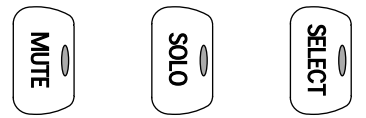
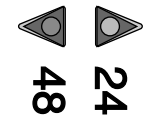
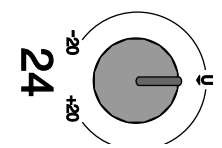


UNLESS OTHERWISE SPECIFIED DIMENSIONS ARE IN INCHES TOLERANCES ARE: FRACTIONS: DECIMALS: ANGLES: ±NA .XX ±.01 ±NA .XXX ±.005	APPROVALS	DATE	 Mackie Designs Inc. Woodville, Wa.
	DRAWN:		
	CHECKED:		
	NP ENG:		
MATERIAL:	MATERIAL:		DIGITAL 8-BUS LINE CONTROL SURFACE
FINISH:	MFG:		
DO NOT SCALE DRAWING	ISSUED:		SIZE SCALE: DWG. NO. REV. A D NONE 990-121-00 A DWG FILE: SHEET 3 OF 4

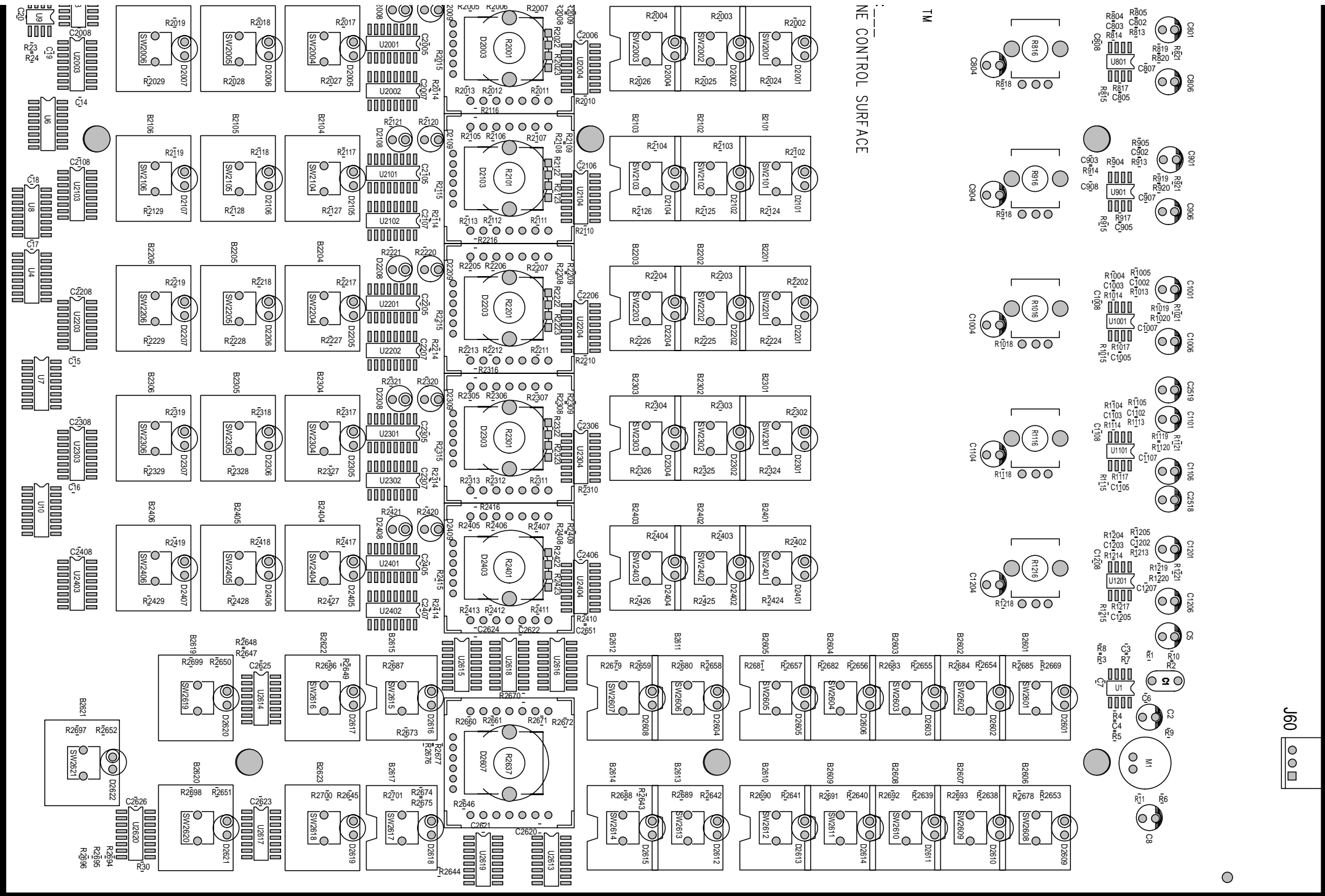


- B2601 760-104-00 SM TACTILE BUTTON
- B2602 760-104-00 SM TACTILE BUTTON
- B2603 760-104-00 SM TACTILE BUTTON
- B2604 760-104-00 SM TACTILE BUTTON
- B2605 760-104-00 SM TACTILE BUTTON
- B2606 760-104-00 SM TACTILE BUTTON
- B2607 760-104-00 SM TACTILE BUTTON
- B2608 760-104-00 SM TACTILE BUTTON
- B2609 760-104-00 SM TACTILE BUTTON
- B2610 760-104-00 SM TACTILE BUTTON
- B2611 760-104-00 SM TACTILE BUTTON
- B2612 760-104-00 SM TACTILE BUTTON
- B2613 760-104-00 SM TACTILE BUTTON
- B2614 760-104-00 SM TACTILE BUTTON
- B2615 760-104-00 SM TACTILE BUTTON
- B2616 760-104-00 SM TACTILE BUTTON
- B2617 760-104-00 SM TACTILE BUTTON
- B2619 760-105-00 LG TACTILE BUTTON
- B2620 760-105-00 LG TACTILE BUTTON
- B2621 760-105-00 LG TACTILE BUTTON
- B2622 760-105-00 LG TACTILE BUTTON
- B2623 760-105-00 LG TACTILE BUTTON
- B2624 760-105-00 LG TACTILE BUTTON

UNLESS OTHERWISE SPECIFIED DIMENSIONS ARE IN INCHES TOLERANCES ARE: FRACTIONS: DECIMALS: ANGLES: ±.015 ±.01 ±.015 ±.005	APPROVALS	DATE	MACKIE. Mackie Designs Inc. Woodinville, Wa.	
	DRAWN:			
	CHECKED:		DIGITAL 8-BUS LINE CONTROL SURFACE	
	NP ENG:			
MATERIAL:	MATERIAL:		SIZE SCALE:	DWG. NO.
SEE NOTES			D NONE	990-121-00
FINISH:	MFG:		DWG FILE:	REV. A
SEE NOTES				A
DO NOT SCALE DRAWING	ISSUED:			SHEET 4 OF 4



MACKIE DESIGNS, TM
©1998
055-121-00 REV. _____
DIGITAL 8-BUSLINE CONTROL SU



NE CONTROL SURFACE

TM

160

