

ECO#	REV:	DESCRIPTION	REV. BY:	APP. BY:	DATE
------	------	-------------	----------	----------	------

### CHANNEL 1

CHANNELS 1 TO 12 ARE IDENTICAL EXCEPT FOR THE REFERENCE DESIGNATORS CHANGING BY 100'S AND THE LABELS CHANGING AS SHOWN IN THE TABLES.

$A_v = 0-60dB$

REF DESIGNATOR DIFFERENCES BETWEEN THE CHANNELS

CHANNEL	PARTS RANGE	EXAMPLE
1	IN THE 100'S	R103, C102
2	IN THE 200'S	R203, C202
12	IN THE 1200'S	R1203, C1202

SHOWN

TABLE OF DIFFERENCES BETWEEN CHANNELS

CHANNEL 1	CHANNEL 2	CHANNEL 3	CHANNEL 4	CHANNEL 5	CHANNEL 6	CHANNEL 7	CHANNEL 8	CHANNEL 9	CHANNEL 10	CHANNEL 11	CHANNEL 12
J4-4	J4-10	J4-16	J4-22	J4-28	J4-34	J5-4	J5-10	J5-16	J5-22	J5-28	J5-34
FB2	FB8	FB14	FB20	FB26	FB32	FB37	FB43	FB49	FB55	FB61	FB67
J4-1	J4-7	J4-13	J4-19	J4-25	J4-31	J5-1	J5-7	J5-13	J5-19	J5-25	J5-31
FB1	FB7	FB13	FB19	FB25	FB31	FB36	FB42	FB48	FB54	FB60	FB66
J4-5	J4-11	J4-17	J4-23	J4-29	J4-35	J5-5	J5-11	J5-17	J5-23	J5-29	J5-35
FB4	FB10	FB16	FB22	FB28	FB34	FB39	FB45	FB51	FB57	FB63	FB69
J4-2	J4-8	J4-14	J4-20	J4-26	J4-32	J5-2	J5-8	J5-14	J5-20	J5-26	J5-32
FB3	FB9	FB15	FB21	FB27	FB33	FB38	FB44	FB50	FB56	FB62	FB68

SHOWN

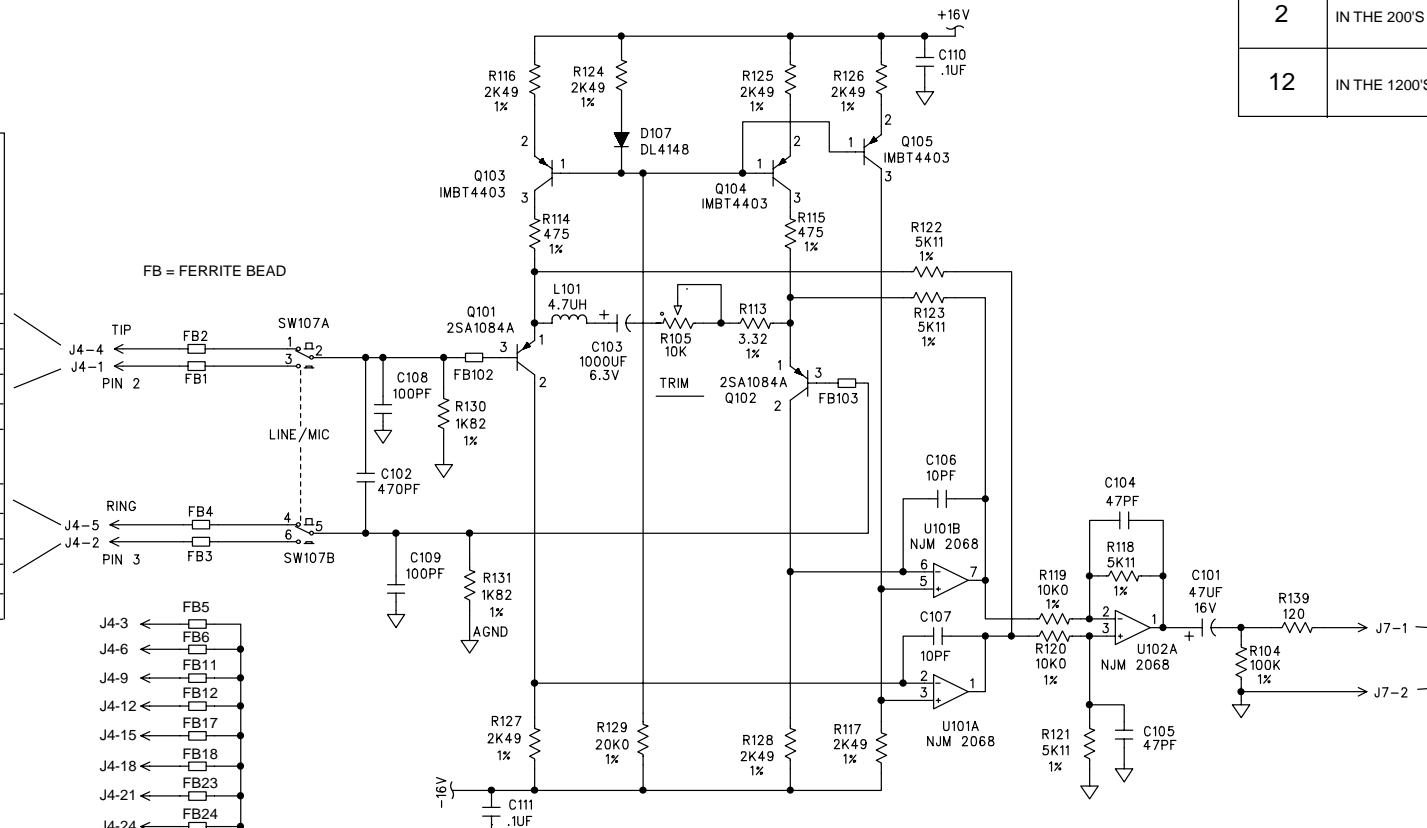
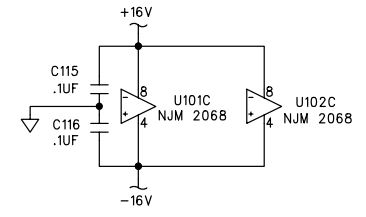


TABLE OF DIFFERENCES BETWEEN CHANNELS

CHANNEL 1	CHANNEL 2	CHANNEL 3	CHANNEL 4	CHANNEL 5	CHANNEL 6	CHANNEL 7	CHANNEL 8	CHANNEL 9	CHANNEL 10	CHANNEL 11	CHANNEL 12
J7-1	J7-3	J7-5	J7-7	J7-9	J7-11	J7-13	J7-15	J7-17	J7-19	J7-21	J7-23
J7-2	J7-4	J7-6	J7-8	J7-10	J7-12	J7-14	J7-16	J7-18	J7-20	J7-22	J7-24

SHOWN

- QUANTITY
- 12  760-078-00 BUTTON, .58 X .32 MIC/LINE
  - 12  706-033-01 STANDOFF, SWAGE, 4-40 X .542L
  - 24  706-032-00 LED SPACER, NYLON .300
  - 12  760-063-00 KNOB, V-POT
  - 12  760-064-00 LENS, V-POT DISPLAY
  - 450-120-00 PCB, DIGITAL 8-BUS: MIC/LINE CONTROL SURFACE



DIGITAL 8-BUS MIC/LINE CONTROL SURFACE

SIZE: D	SCALE: NONE	DWG. NO. 990-120-00	REV. A
DWG FILE:			SHEET 1 OF 3

ECC#	REV:	DESCRIPTION	REV. BY:	APP. BY:	DATE
------	------	-------------	----------	----------	------

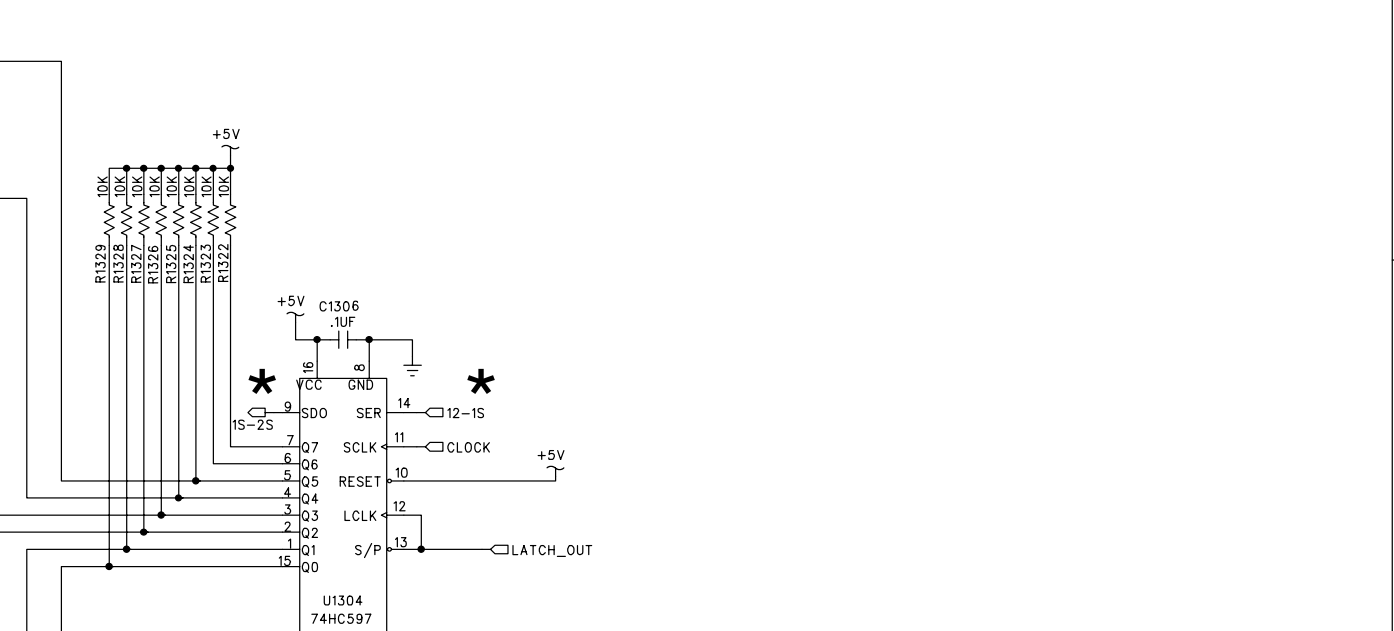
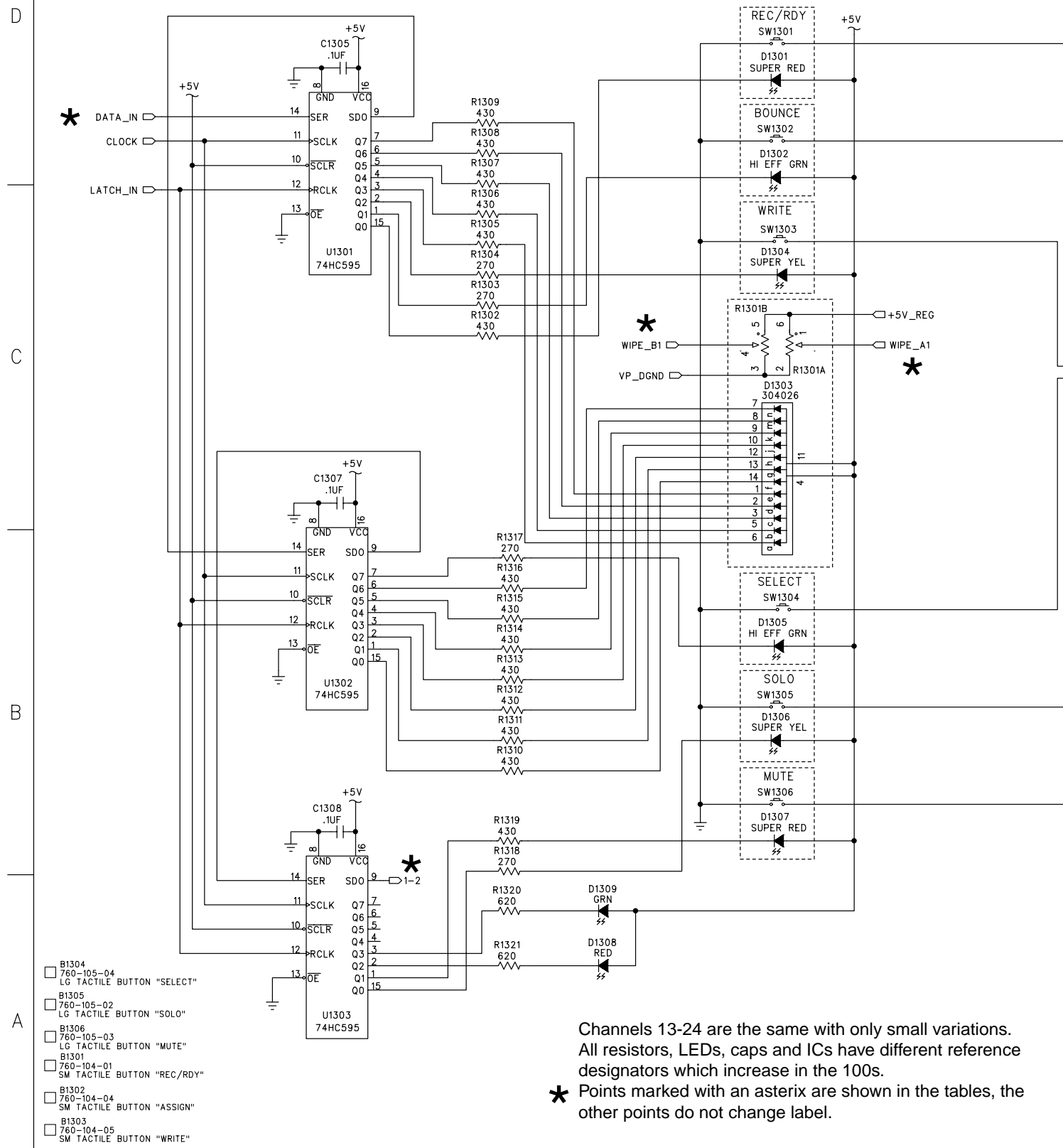


TABLE OF DIFFERENCES BETWEEN CHANNELS

	CHANNEL 13	CHANNEL 14	CHANNEL 15	CHANNEL 16	CHANNEL 17	CHANNEL 18	CHANNEL 19	CHANNEL 20	CHANNEL 21	CHANNEL 22	CHANNEL 23	CHANNEL 24
DATA_IN	1-2	2-3	3-4	4-5	5-6	6-7	7-8	8-9	9-10	10-11	11-12	
1-2	2-3	3-4	4-5	5-6	6-7	7-8	8-9	9-10	10-11	11-12	12-1S	
WIPE_B1	WIPE_B2	WIPE_B3	WIPE_B4	WIPE_B5	WIPE_B6	WIPE_B7	WIPE_B8	WIPE_B9	WIPE_B10	WIPE_B11	WIPE_B12	
WIPE_A1	WIPE_A2	WIPE_A3	WIPE_A4	WIPE_A5	WIPE_A6	WIPE_A7	WIPE_A8	WIPE_A9	WIPE_A10	WIPE_A11	WIPE_A12	
1S-2S	2S-3S	3S-4S	4S-5S	5S-6S	6S-7S	7S-8S	8S-9S	9S-10S	10S-11S	11S-12S	DATA_OUT SEE	
12-1S	1S-2S	2S-3S	3S-4S	4S-5S	5S-6S	6S-7S	7S-8S	8S-9S	9S-10S	10S-11S	11S-12S	

SHOWN

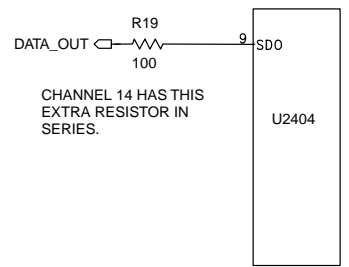


TABLE OF DIFFERENCES OF REF DESIGNATORS WHERE THE CHANNELS ARE OTHERWISE IDENTICAL

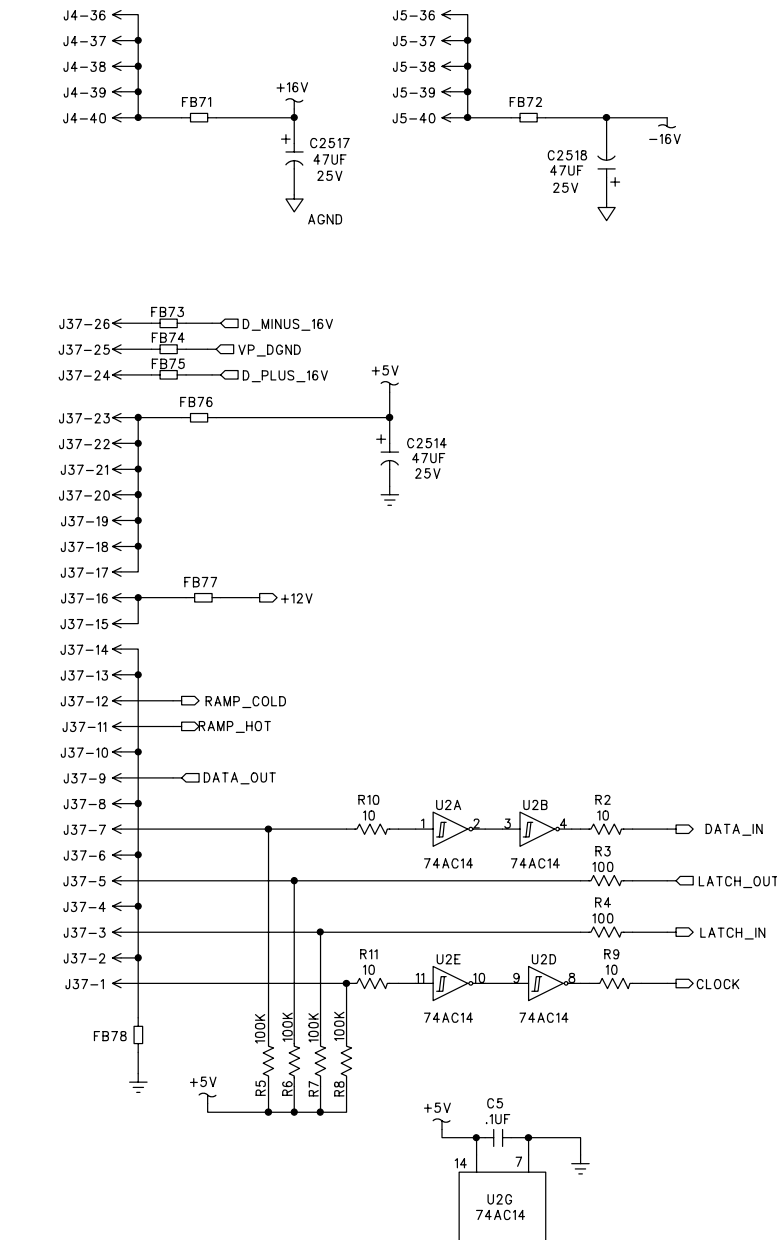
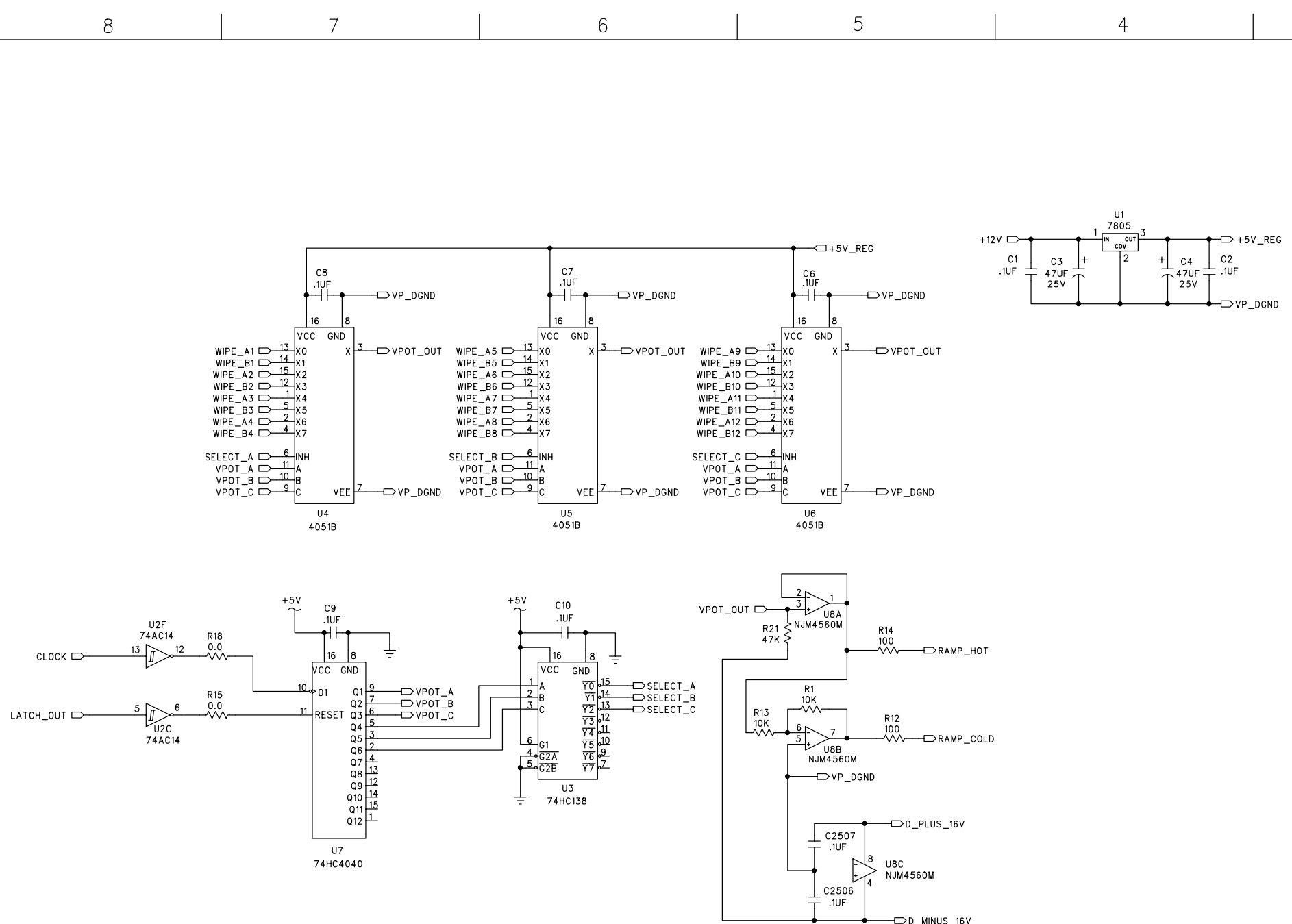
CHANNEL	PARTS RANGE	EXAMPLE	
13	IN THE 1300'S	R1329, D1301	SHOWN
20	IN THE 2000'S	R2029, D2001	
24	IN THE 2400'S	R2429, D2401	

Channels 13-24 are the same with only small variations. All resistors, LEDs, caps and ICs have different reference designators which increase in the 100s. \* Points marked with an asterisk are shown in the tables, the other points do not change label.

- B1304 760-105-04 LG TACTILE BUTTON "SELECT"
- B1305 760-105-02 LG TACTILE BUTTON "SOLO"
- B1306 760-105-03 LG TACTILE BUTTON "MUTE"
- B1301 760-104-01 SM TACTILE BUTTON "REC/RDY"
- B1302 760-104-04 SM TACTILE BUTTON "ASSIGN"
- B1303 760-104-05 SM TACTILE BUTTON "WRITE"

APPROVALS	DATE	<b>MACKIE.</b> Mackie Designs Inc. Woodinville, Wa.
DRAWN: PETE	2-3-97	
CHECKED:		
NP ENG:		DIGITAL 8-BUS MIC/LINE CONTROL SURFACE
MATERIAL:		
MFG:		SIZE D SCALE: NONE DWG. NO. 990-120-00 REV. A
MFG ENG:		DWG FILE:
ISSUED:		SHEET 2 OF 3

ECO#	REV:	DESCRIPTION	REV. BY:	APP. BY:	DATE



UNLESS OTHERWISE SPECIFIED DIMENSIONS ARE IN INCHES TOLERANCES ARE: FRACTIONS: DECIMALS: ANGLES: ±NA .XX ±.01 ±NA .XXX ±.005	APPROVALS	DATE	<p>Mackie Designs Inc. Woodinville, Wa.</p> <p>DIGITAL 8-BUS MIC/LINE CONTROL SURFACE</p>
	DRAWN: pete	2-3-97	
	CHECKED:		
	NP ENG:		
MATERIAL:	MATERIAL:		SIZE SCALE: DWG. NO. REV. A D NONE 990-120-00 A
FINISH: SEE NOTES	MFG:		
DO NOT SCALE DRAWING	MFG ENG:		DWG. NO. 990-120-00 REV. A SHEET 3 OF 3

