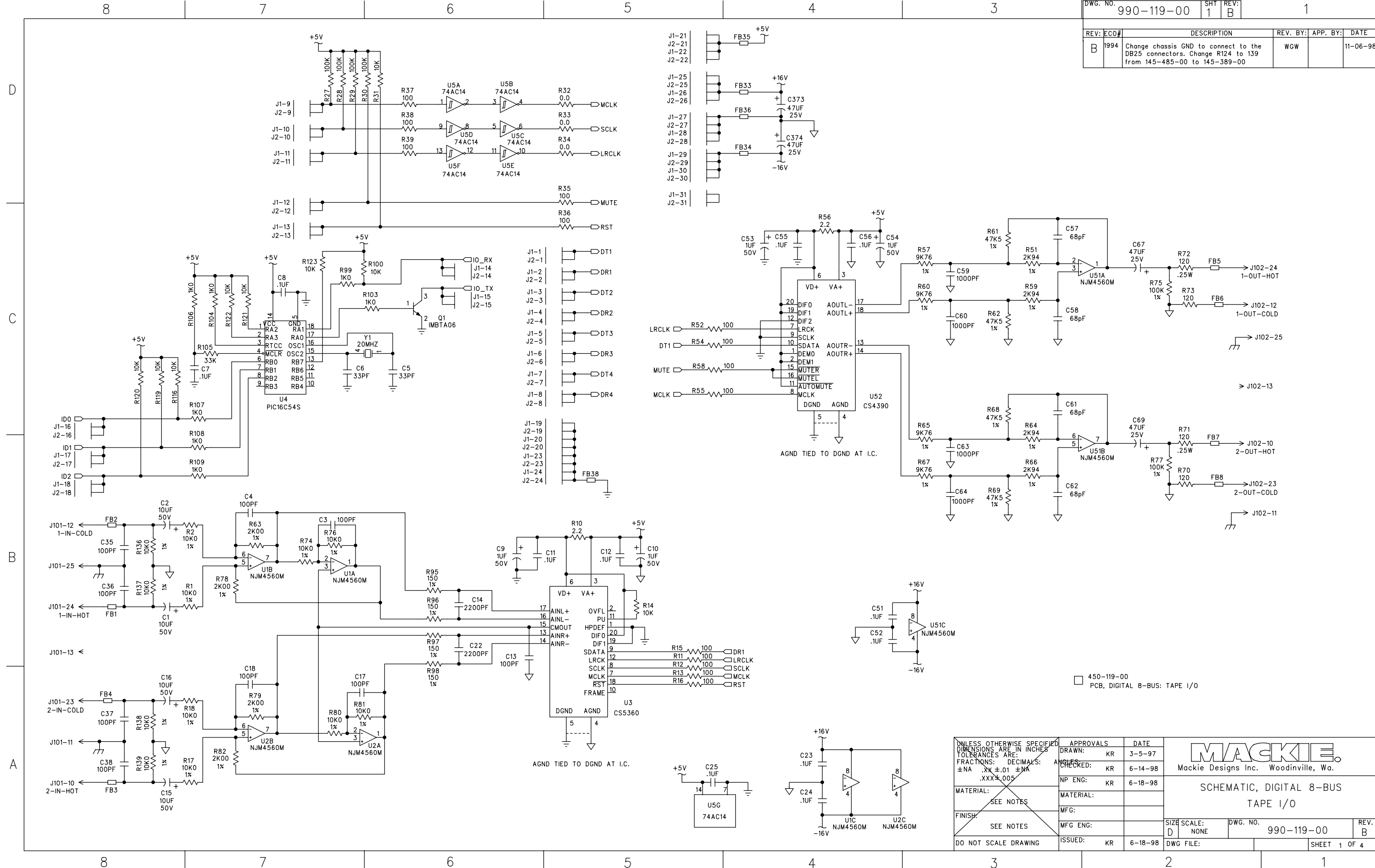


REV:	ECO#	DESCRIPTION	REV. BY:	APP. BY:	DATE
B	1994	Change chassis GND to connect to the DB25 connectors. Change R124 to 139 from 145-485-00 to 145-389-00	WGW		11-06-98

D
C
B
A

D
C
B
A

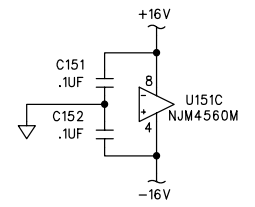
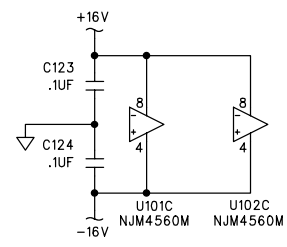
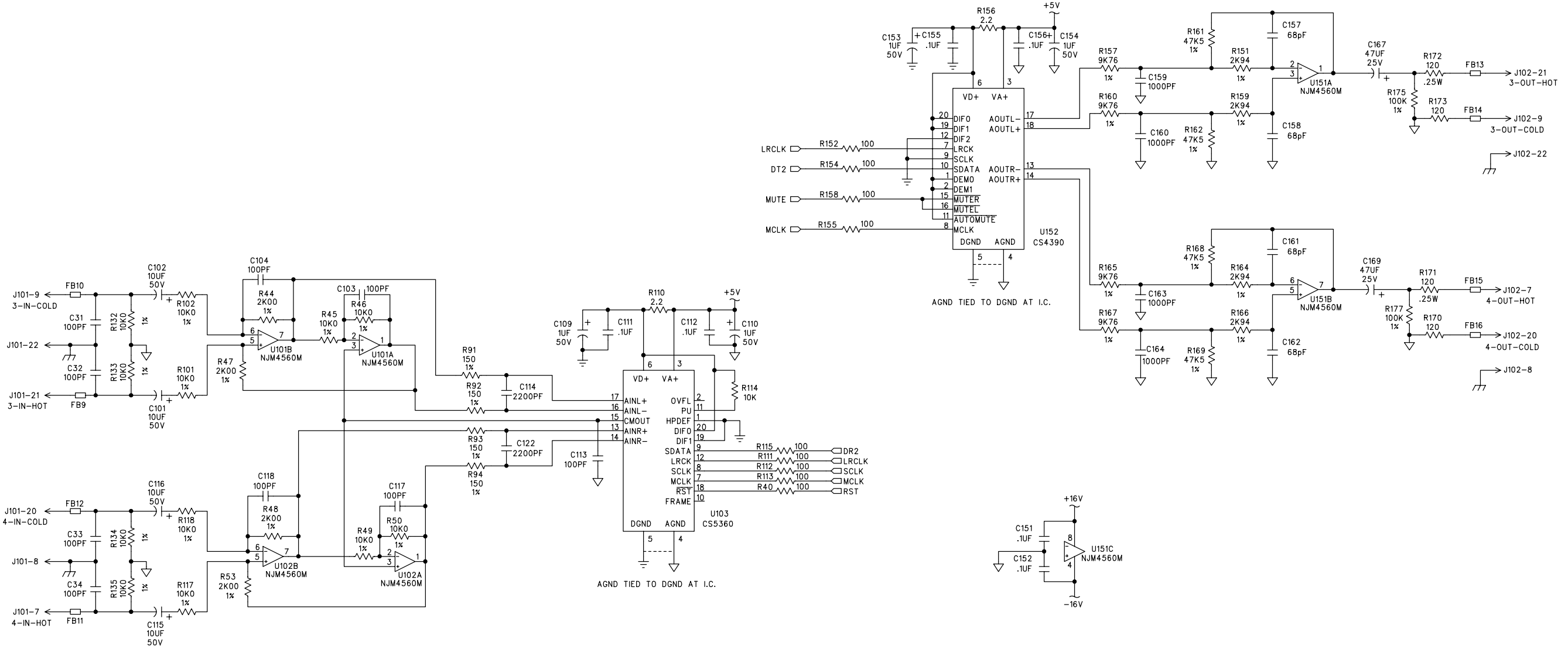


450-119-00
PCB, DIGITAL 8-BUS: TAPE I/O

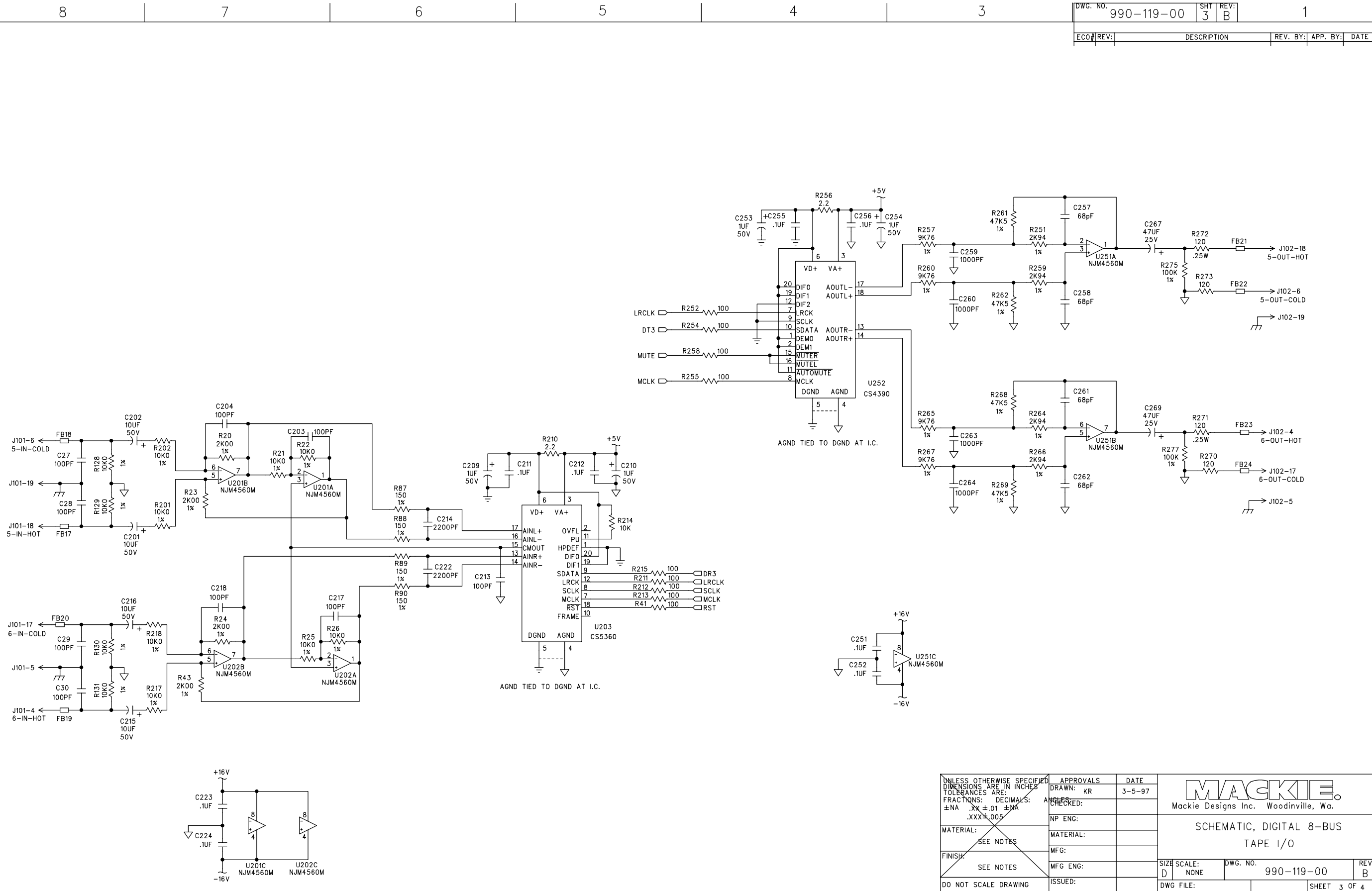
UNLESS OTHERWISE SPECIFIED DIMENSIONS ARE IN INCHES TOLERANCES ARE:		APPROVALS		DATE
FRACTIONS:	XX ±.01 ±.04	DRAWN:	KR	3-5-97
DECIMALS:	.XXX ±.005	CHECKED:	KR	6-14-98
MATERIAL:	SEE NOTES	NP ENG:	KR	6-18-98
FINISH:	SEE NOTES	MATERIAL:		
DO NOT SCALE DRAWING	ISSUED:	MFG:		
	KR	MFG ENG:		
	6-18-98	SIZE SCALE:	D NONE	DWG. NO. 990-119-00
		DWG FILE:		REV. B
				SHEET 1 OF 4



Mackie Designs Inc. Woodinville, Wa.
SCHEMATIC, DIGITAL 8-BUS TAPE I/O



UNLESS OTHERWISE SPECIFIED DIMENSIONS ARE IN INCHES TOLERANCES ARE: FRACTIONS: DECIMALS: ANGLES: ±NA .XX ±.01 ±NA .XXX ±.005	APPROVALS	DATE	 Mackie Designs Inc. Woodinville, Wa.
	DRAWN: KR	3-5-97	
MATERIAL:	NP ENG:		SCHEMATIC, DIGITAL 8-BUS TAPE I/O
SEE NOTES	MATERIAL:		
FINISH:	MFG:		SIZE SCALE: DWG. NO. REV. B D NONE 990-119-00
SEE NOTES	MFG ENG:		
DO NOT SCALE DRAWING	ISSUED:		DWG FILE: SHEET 2 OF 4

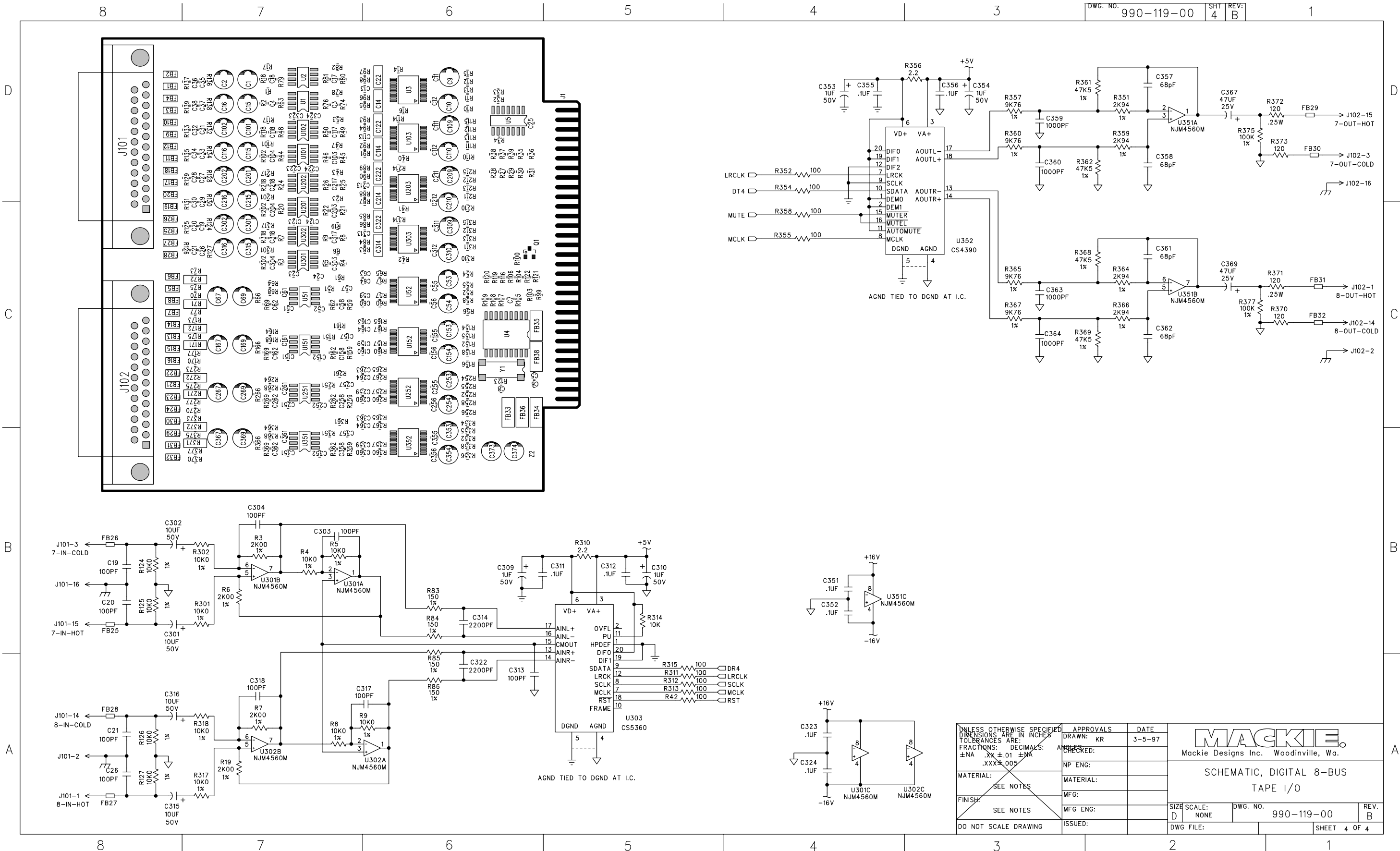


D
C
B
A

D
C
B
A

8 7 6 5 4 3 2 1

UNLESS OTHERWISE SPECIFIED DIMENSIONS ARE IN INCHES TOLERANCES ARE: FRACTIONS: .XX ±.01 ±.05 ±.NA .XXX ±.005	APPROVALS	DATE	MACKIE Mackie Designs Inc. Woodinville, Wa.
	DRAWN: KR	3-5-97	
	CHECKED:		
	NP ENG:		
MATERIAL:	MATERIAL:		SCHEMATIC, DIGITAL 8-BUS TAPE I/O
SEE NOTES	MFG:		
SEE NOTES	MFG ENG:		
DO NOT SCALE DRAWING	ISSUED:		SIZE SCALE: D NONE
			DWG. NO. 990-119-00
			REV. B
			SHEET 3 OF 4



119-4 TAPE I/O BOARD 119 REV B

UNLESS OTHERWISE SPECIFIED DIMENSIONS ARE IN INCHES TOLERANCES ARE: FRACTIONS: DECIMALS: ANGLES: ±NA .XX ±.01 ±NA .XXX ±.005	APPROVALS	DATE	 Mackie Designs Inc. Woodinville, Wa.
	DRAWN: KR	3-5-97	
MATERIAL: SEE NOTES	CHECKED:		SCHEMATIC, DIGITAL 8-BUS TAPE I/O
	NP ENG:		
FINISH: SEE NOTES	MATERIAL:		SIZE SCALE: NONE DWG. NO. 990-119-00 REV. B
	MFG:		
DO NOT SCALE DRAWING	ISSUED:		DWG FILE: SHEET 4 OF 4