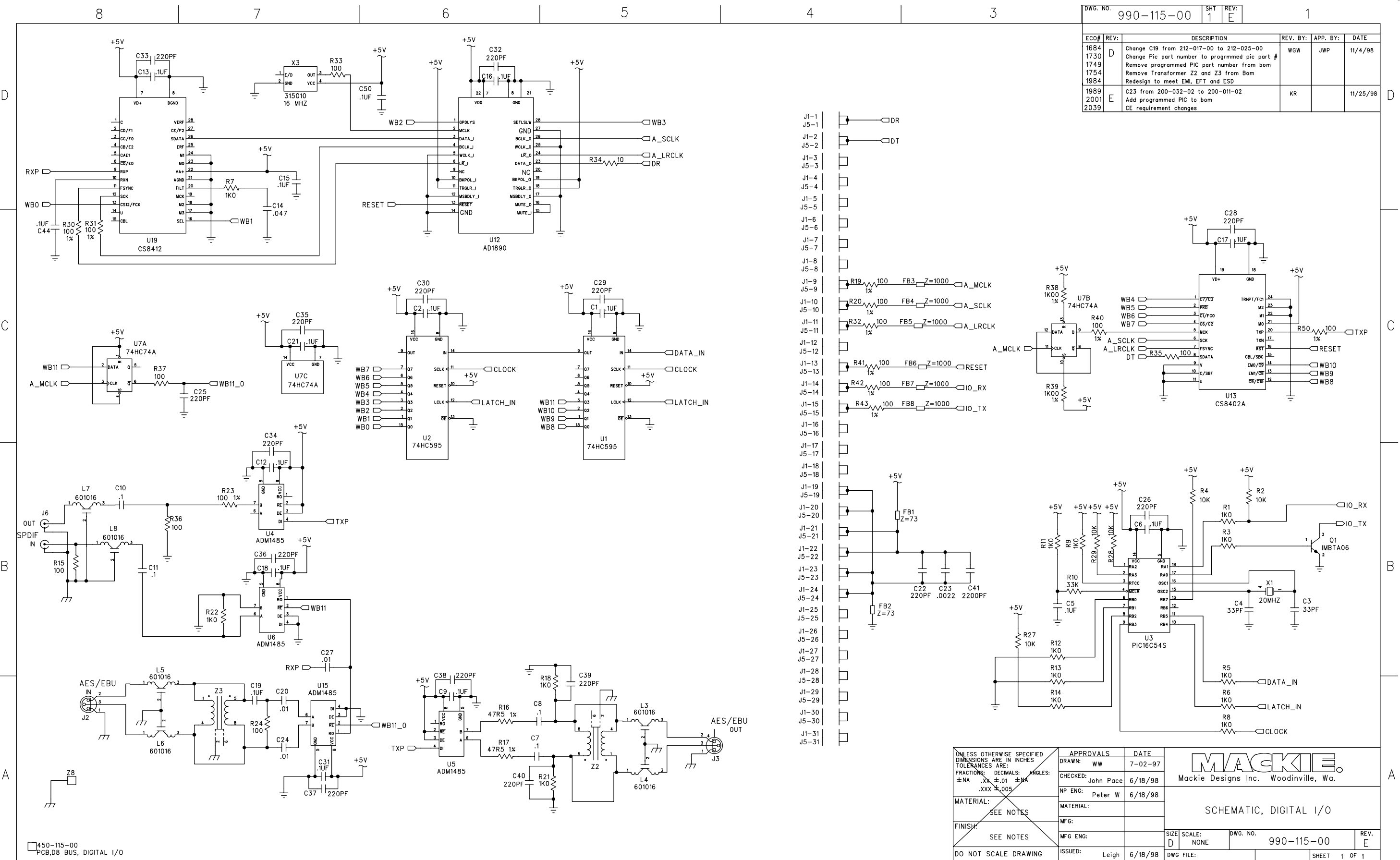
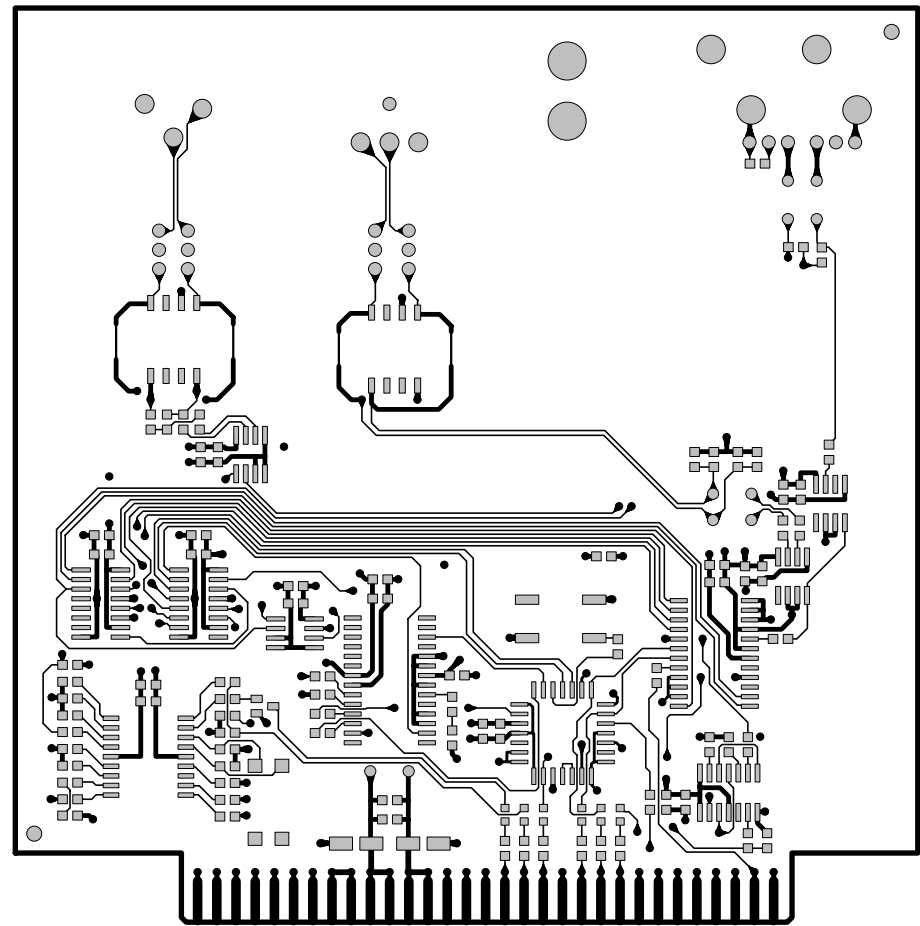
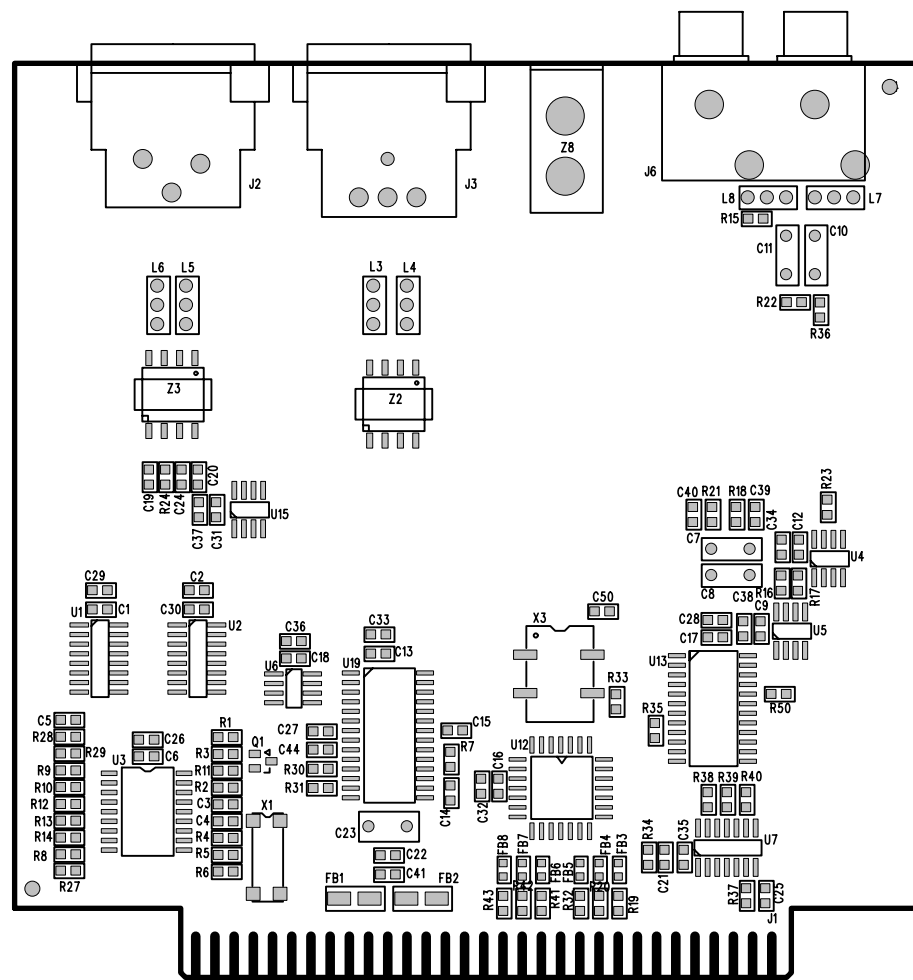


ECO#	REV.	DESCRIPTION	REV. BY:	APP. BY:	DATE
1684	D	Change C19 from 212-017-00 to 212-025-00	WG	JWP	11/4/98
1730		Change Pic part number to programmed pic part #			
1749		Remove programmed PIC part number from bom			
1754		Remove Transformer Z2 and Z3 from Bom			
1984		Redesign to meet EMI, EFT and ESD			
1989	E	C23 from 200-032-02 to 200-011-02	KR		11/25/98
2001		Add programmed PIC to bom			
2039		CE requirement changes			

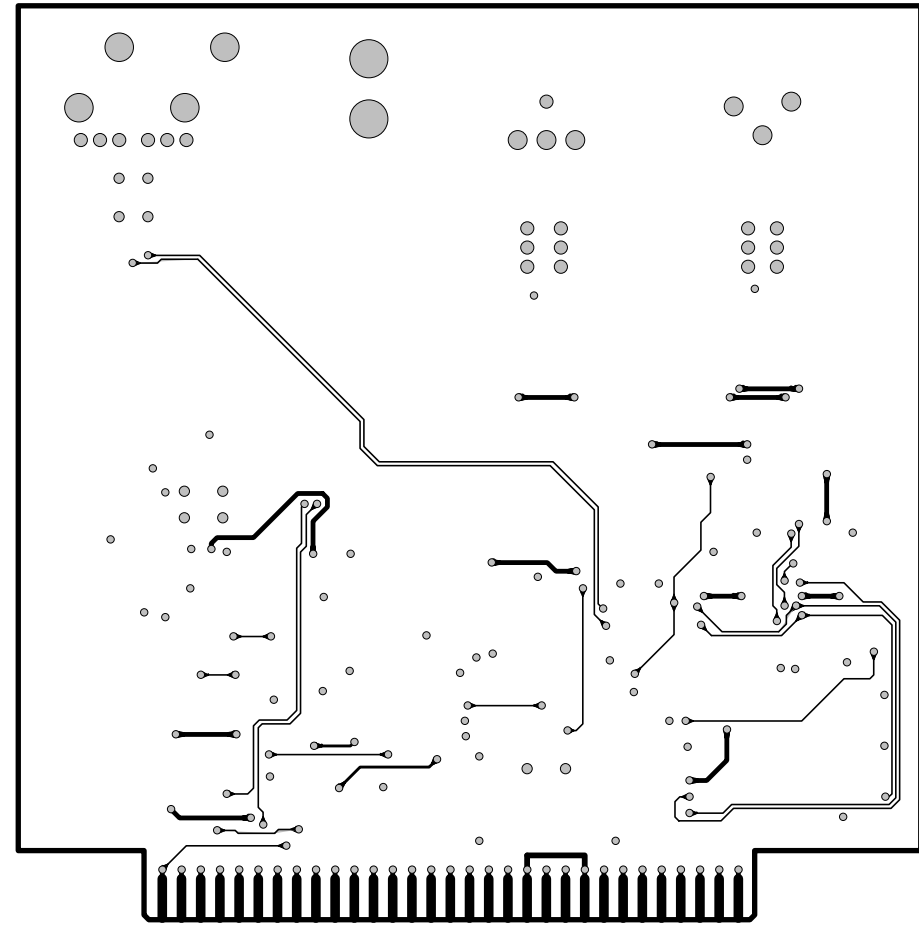


- J1-1 DR
- J5-1
- J1-2 DT
- J5-2
- J1-3 DR
- J5-3
- J1-4 DR
- J5-4
- J1-5 DR
- J5-5
- J1-6 DR
- J5-6
- J1-7 DR
- J5-7
- J1-8 DR
- J5-8
- J1-9 A\_MCLK
- J5-9
- J1-10 A\_SCLK
- J5-10
- J1-11 A\_LRCLK
- J5-11
- J1-12
- J5-12
- J1-13 RESET
- J5-13
- J1-14 IO\_RX
- J5-14
- J1-15 IO\_TX
- J5-15
- J1-16
- J5-16
- J1-17
- J5-17
- J1-18
- J5-18
- J1-19
- J5-19
- J1-20 FB1 Z=73
- J5-20
- J1-21
- J5-21
- J1-22
- J5-22
- J1-23
- J5-23
- J1-24
- J5-24
- J1-25
- J5-25
- J1-26
- J5-26
- J1-27
- J5-27
- J1-28
- J5-28
- J1-29
- J5-29
- J1-30
- J5-30
- J1-31
- J5-31

UNLESS OTHERWISE SPECIFIED DIMENSIONS ARE IN INCHES TOLERANCES ARE: FRACTIONS: DECIMALS: ANGLES: ±.NA .XX ±.01 ±NA .XXX ±.005	APPROVALS	DATE	<b>MACKIE</b> Mackie Designs Inc. Woodinville, Wa.
	DRAWN: WW	7-02-97	
MATERIAL: SEE NOTES	CHECKED: John Pace	6/18/98	SCHEMATIC, DIGITAL I/O
	NP ENG: Peter W	6/18/98	
FINISH: SEE NOTES	MATERIAL:		SIZE SCALE: NONE DWG. NO. 990-115-00 REV. E
	MFG:		
DO NOT SCALE DRAWING	ISSUED: Leigh	6/18/98	DWG FILE: SHEET 1 OF 1



Top Traces



Bottom Traces