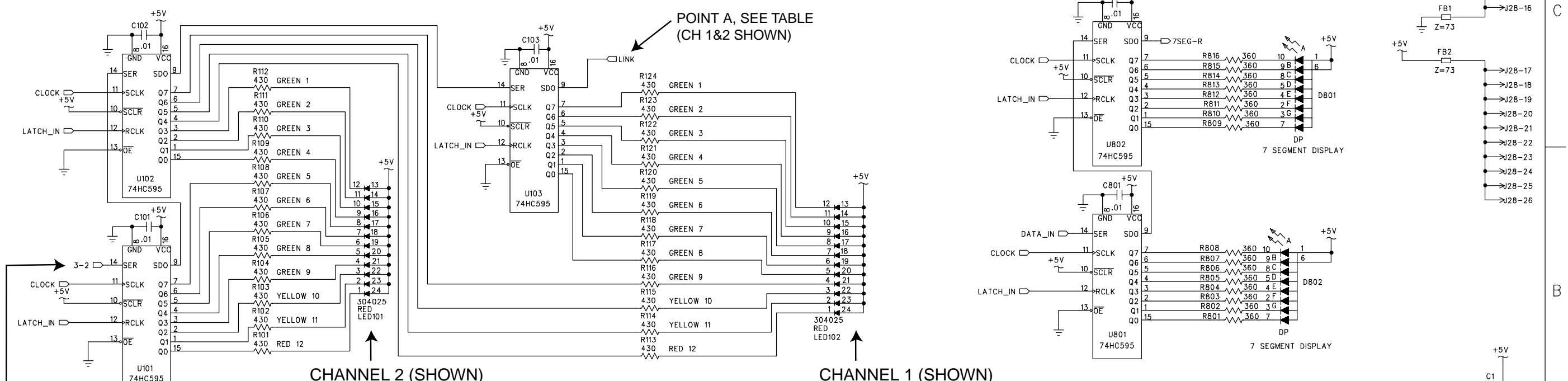


ECO#	REV.	DESCRIPTION	REV. BY:	APP. BY:	DATE

REFERENCE DESIGNATOR AND LABEL DIFFERENCES BETWEEN CHANNELS

CHANNEL	PARTS RANGE	EXAMPLE	POINT A	POINT B
1&2	IN THE 100'S	R103, U102	LINK	3-2
3&4	IN THE 200'S	R203, U202	3-2	5-4
5&6	IN THE 300'S	R303, U302	5-4	7-6
7&8	IN THE 400'S	R403, U402	7-6	9-8
9&10	IN THE 500'S	R503, U502	9-8	11-10
11&12	IN THE 600'S	R603, U602	11-10	L-12
MASTER L & RIGHT	IN THE 700'S	R703, U702	L-12	7SEG-R

CH1 TO CH 12 ALL HAVE THE SAME CIRCUIT DESIGN, THIS IS CH 1 AND CH2

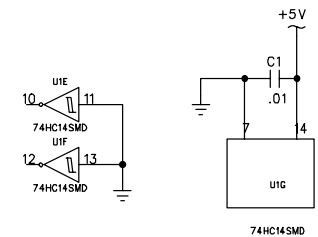
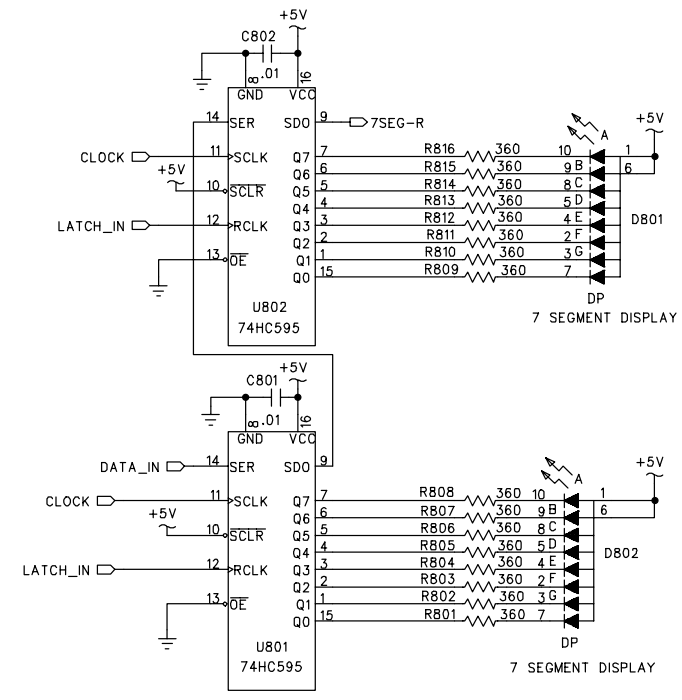
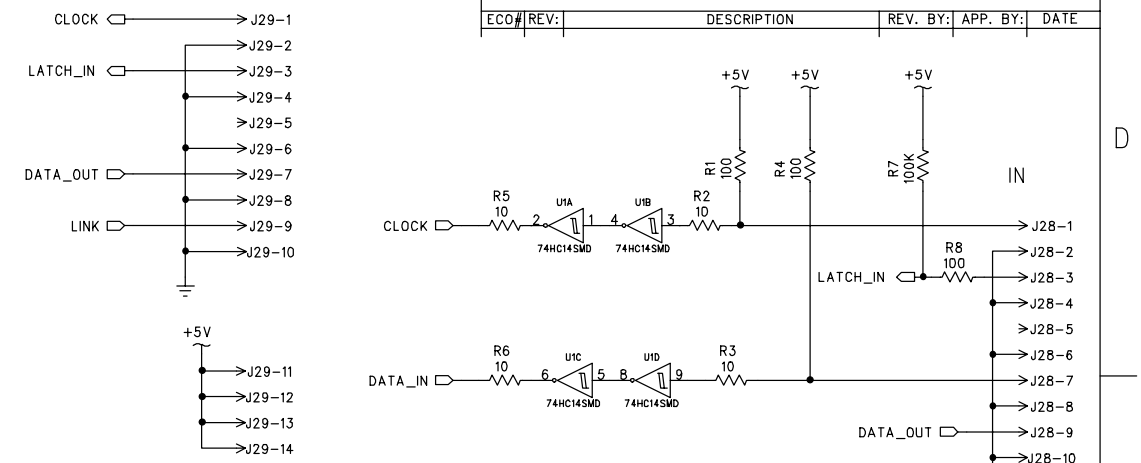


POINT B, SEE TABLE (CH 1&2 SHOWN)

POINT A, SEE TABLE (CH 1&2 SHOWN)

- CHANNEL 2 (SHOWN)
- CHANNEL 4
- CHANNEL 6
- CHANNEL 8
- CHANNEL 10
- CHANNEL 12
- MASTER RIGHT

- CHANNEL 1 (SHOWN)
- CHANNEL 3
- CHANNEL 5
- CHANNEL 7
- CHANNEL 9
- CHANNEL 11
- MASTER LEFT



450-109-00 PCB, DIGITAL 8-BUS, LINE/OUTPUT METERS

UNLESS OTHERWISE SPECIFIED DIMENSIONS ARE IN INCHES TOLERANCES ARE: FRACTIONS: DECIMALS: ±NA .XX ±.01 ±NA .XXX ±.005	APPROVALS	DATE	MACKIE Mackie Designs Inc. Woodville, Wa.
	DRAWN: trh	12-11-96	
MATERIAL: SEE NOTES	CHECKED:		SCHEMATIC, DIGITAL 8-BUS LINE/MASTER METERS
FINISH: SEE NOTES	NP ENG:		
DO NOT SCALE DRAWING	MATERIAL:		SIZE SCALE: DWG. NO. 990-109-00
	MFG:		REV. 5
	MFG ENG:		DWG FILE: 1 SHEET
	ISSUED:		

