

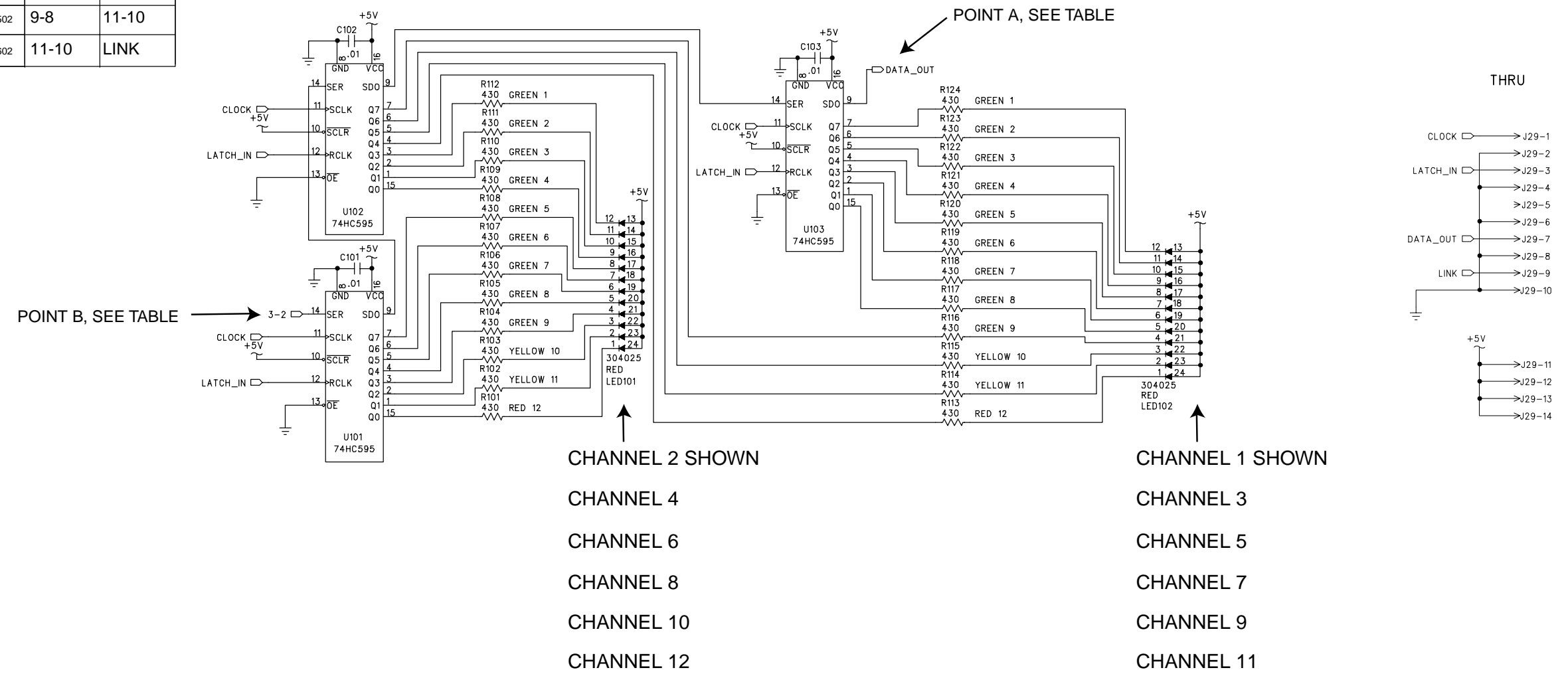
DWG. NO.	990-108-00	SHT	1	REV:	5	1
ECO#	REV:	DESCRIPTION	REV. BY:	APP. BY:	DATE	

REFERENCE DESIGNATOR AND LABEL DIFFERENCES BETWEEN CHANNELS

CHANNEL	PARTS RANGE	EXAMPLE	POINT A	POINT B
1&2	IN THE 100'S	R103, U102	DATA OUT	3-2
3&4	IN THE 200'S	R203, U202	3-2	5-4
5&6	IN THE 300'S	R303, U302	5-4	7-6
7&8	IN THE 400'S	R403, U402	7-6	9-8
9&10	IN THE 500'S	R503, U502	9-8	11-10
11&12	IN THE 600'S	R603, U602	11-10	LINK

(CH 1&2 SHOWN)

CH1 TO CH 12 ALL HAVE THE SAME CIRCUIT DESIGN, THIS IS CH 1 AND CH2



450-108-00
PCB, DIGITAL 8-BUS, MIC METERS

UNLESS OTHERWISE SPECIFIED DIMENSIONS ARE IN INCHES TOLERANCES ARE: FRACTIONS: DECIMALS: ANGLES: ±NA .XX ±.01 ±NA .XXX ±.005	APPROVALS	DATE	MACKIE Mackie Designs Inc. Woodinville, Wa.
	DRAWN: trh	12-11-96	
MATERIAL: SEE NOTES	CHECKED:		SCHEMATIC, DIGITAL 8-BUS MIC/LINE METERS
FINISH: SEE NOTES	NP ENG:		
DO NOT SCALE DRAWING	MFG ENG:		SIZE SCALE: D NONE
	ISSUED:		DWG. NO. 990-108-00
			REV. 5
			DWG FILE: 1 SHEET

