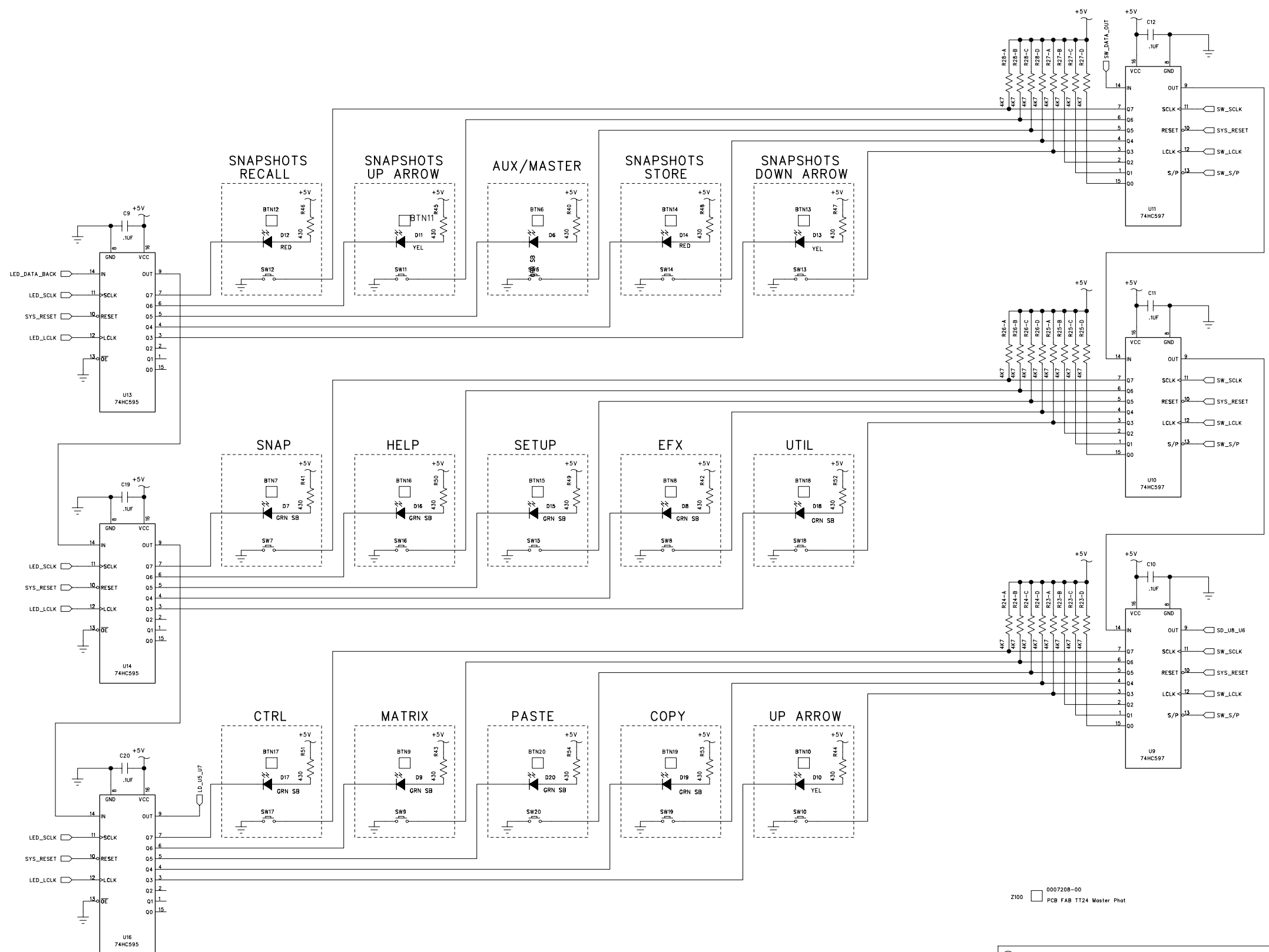


ECO#	REV:	DESCRIPTION	REV. BY:	APP. BY:	DATE
6745	A00	RELEASE TO PRODUCTION	mfp		02/03/03

D
C
B
A

D
C
B
A



Z100 0007208-00
PCB FAB TT24 Master Phot

©2003 MACKIE DESIGNS INC.
ALL RIGHTS RESERVED
THE INFORMATION CONTAINED HEREIN
IS PROPRIETARY AND CONFIDENTIAL
PROPERTY OF MACKIE DESIGNS INC.

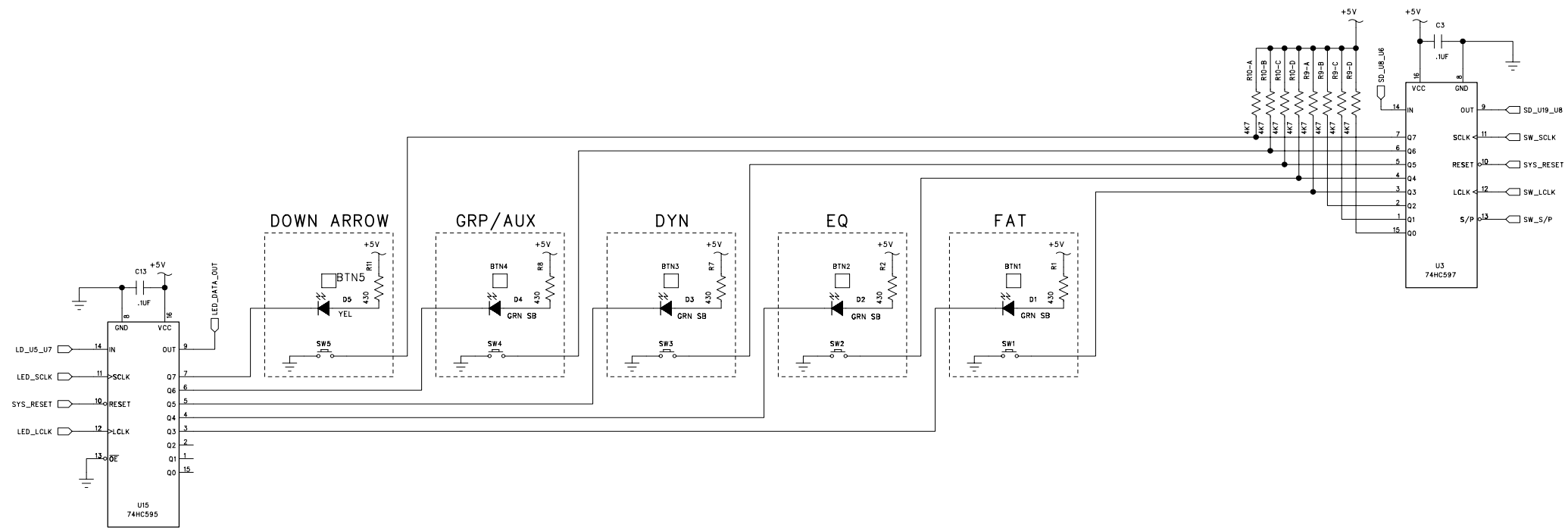
APPROVALS	DATE
DRAWN: Pete	2003.09.26
CHECKED:	
NP ENG:	
MATERIAL:	
MFG:	
MFG ENG:	
ISSUED:	

MACKIE.
Mackie Designs Inc. Woodinville, Wa.

TT24: Master PHAT
Switches & LEDs

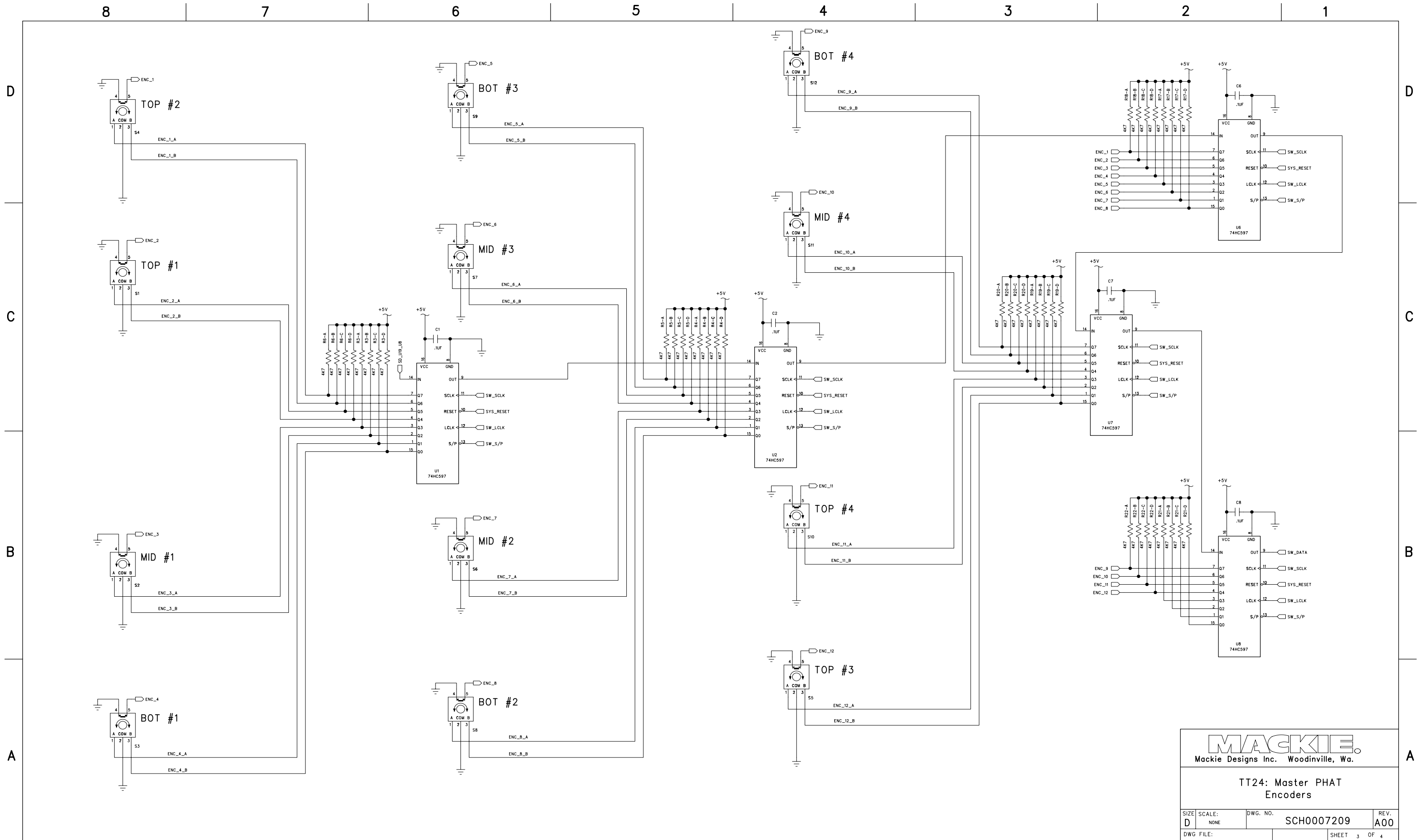
SIZE: D	SCALE: NONE	DWG. NO. SCH0007209	REV. A00
DWG FILE:		SHEET 1 OF 4	





TT24: Master PHAT
More Switches & LEDs

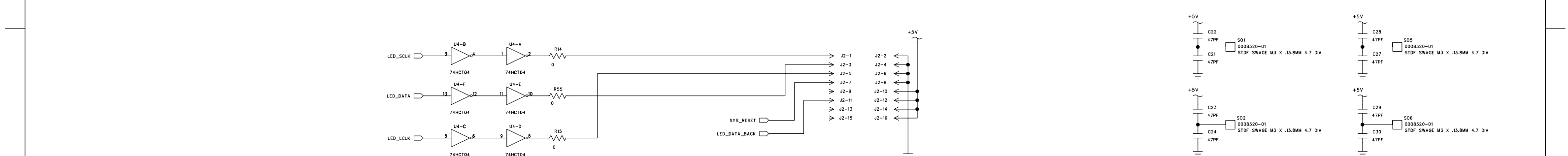
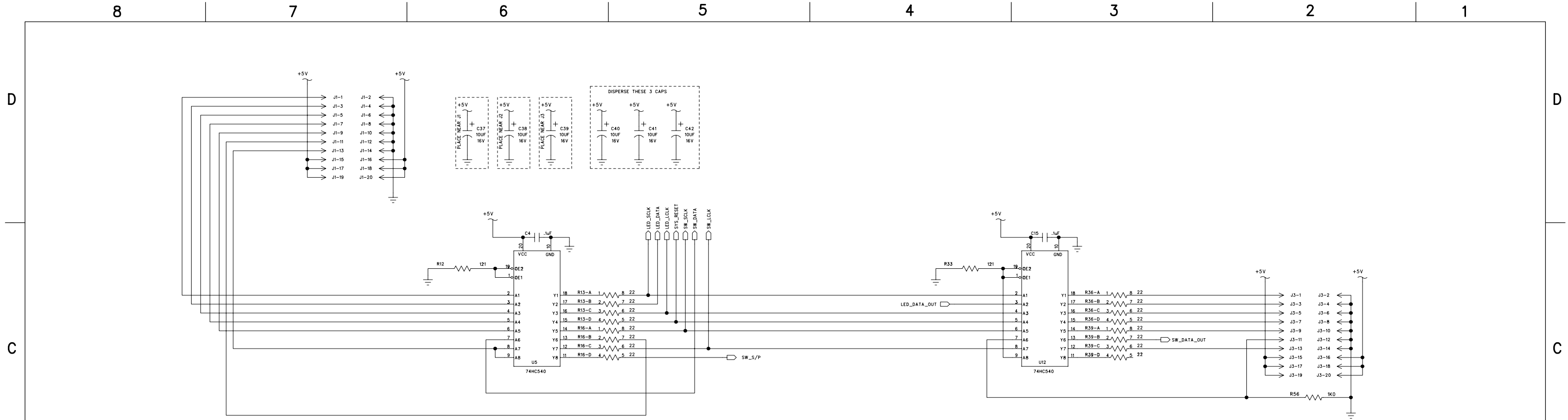
SIZE D	SCALE: NONE	DWG. NO. SCH0007209	REV. A00
DWG FILE:		SHEET 2 OF 4	



MACKIE.
Mackie Designs Inc. Woodinville, Wa.

TT24: Master PHAT Encoders

SIZE: D	SCALE: NONE	DWG. NO. SCH0007209	REV. A00
DWG FILE:		SHEET 3 OF 4	



MACKIE.
Mackie Designs Inc. Woodinville, Wa.

**TT24: Master PHAT
Connectors**

SIZE D	SCALE: NONE	DWG. NO. SCH0007209	REV. A00
DWG FILE:		SHEET 4 OF 4	