

8 7 6 5 4 3

D

D

C

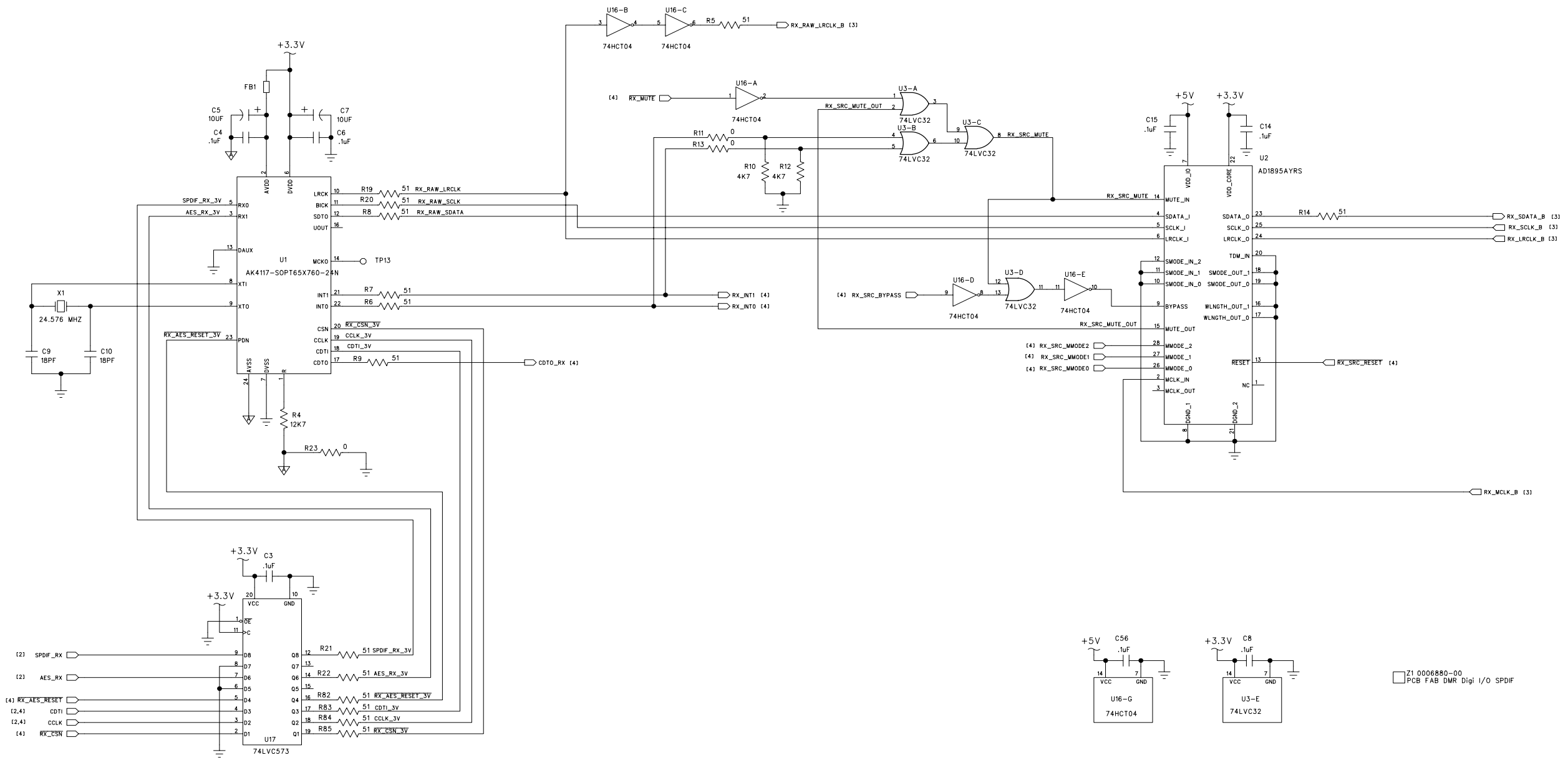
C

B

B

A

A



Z1 0006880-00
 PCB FAB DMR Digi I/O SPDIF

APPROVALS		DATE
DRAWN:	GCJ	10/05/03
CHECKED:		
NP ENG:		
MATERIAL:		
MFG:		
MFG ENG:		
ISSUED:		

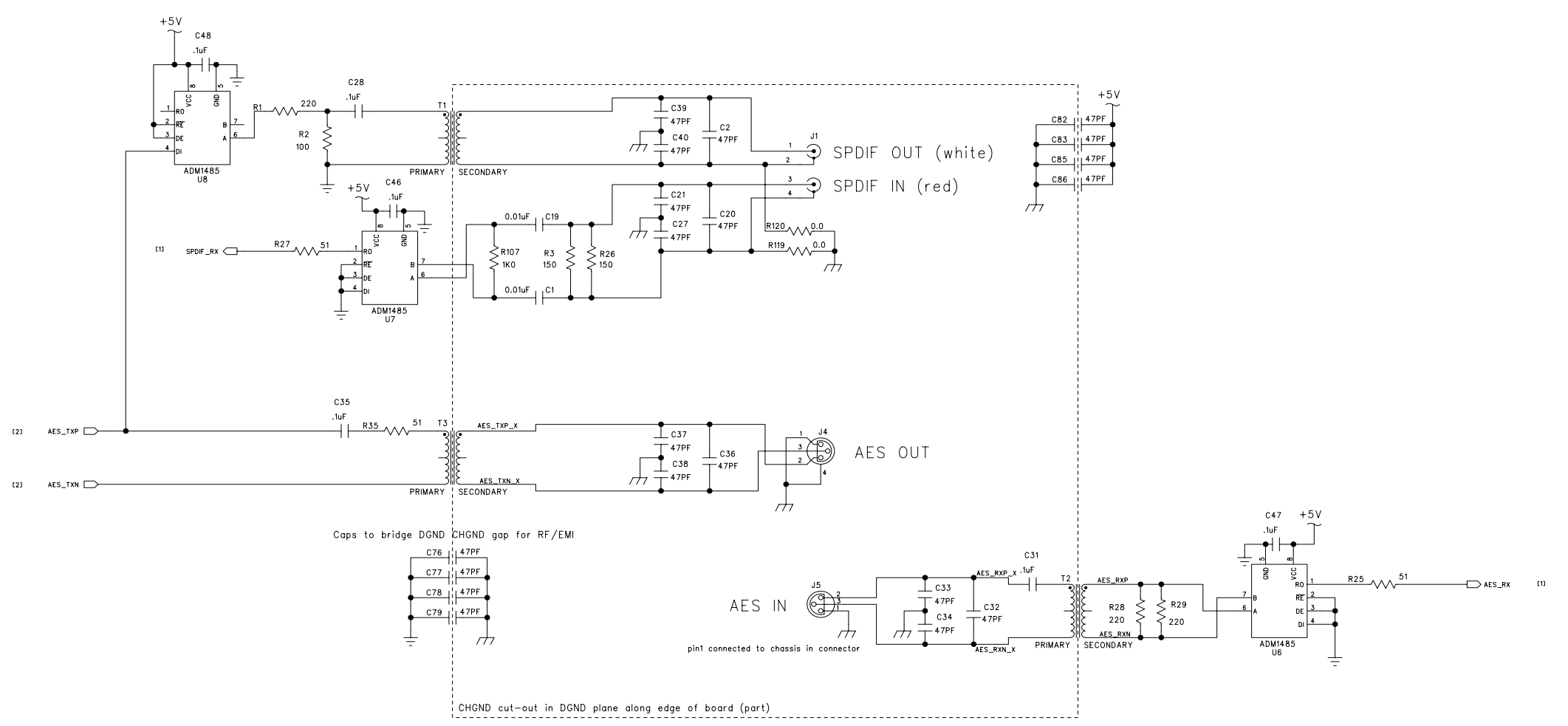
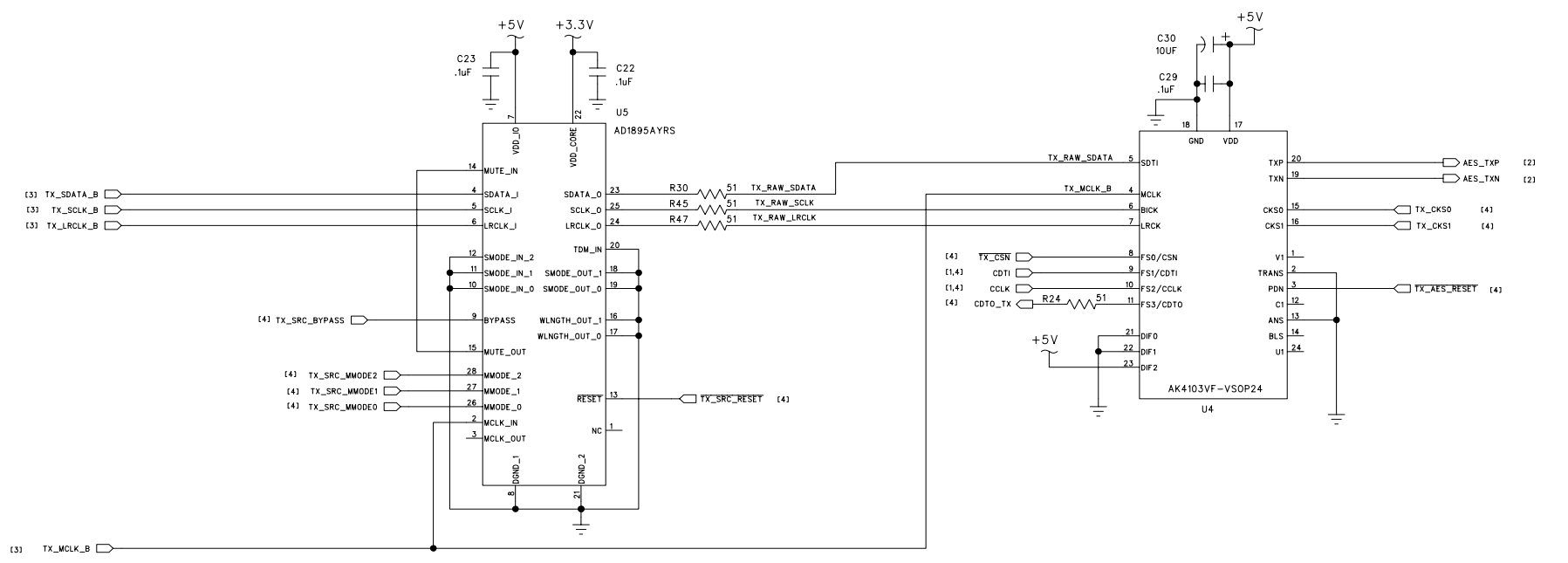
MACKIE.
 Mackie Designs Inc. Woodinville, Wa.

DMR Digi I/O SPDIF - SPDIF/AES/WC

SIZE	SCALE:	DWG. NO.	REV.
D	NONE	0006879-00	A00
DWG FILE:		SHEET 1 OF 4	

©2004 MACKIE DESIGNS INC.
 ALL RIGHTS RESERVED
 THE INFORMATION CONTAINED HEREIN
 IS PROPRIETARY AND CONFIDENTIAL
 PROPERTY OF MACKIE DESIGNS INC.

8 7 6 5 4 3 2 1



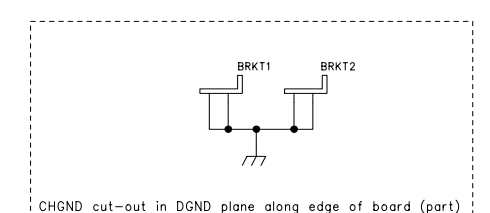
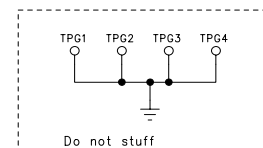
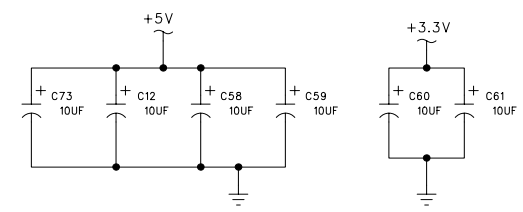
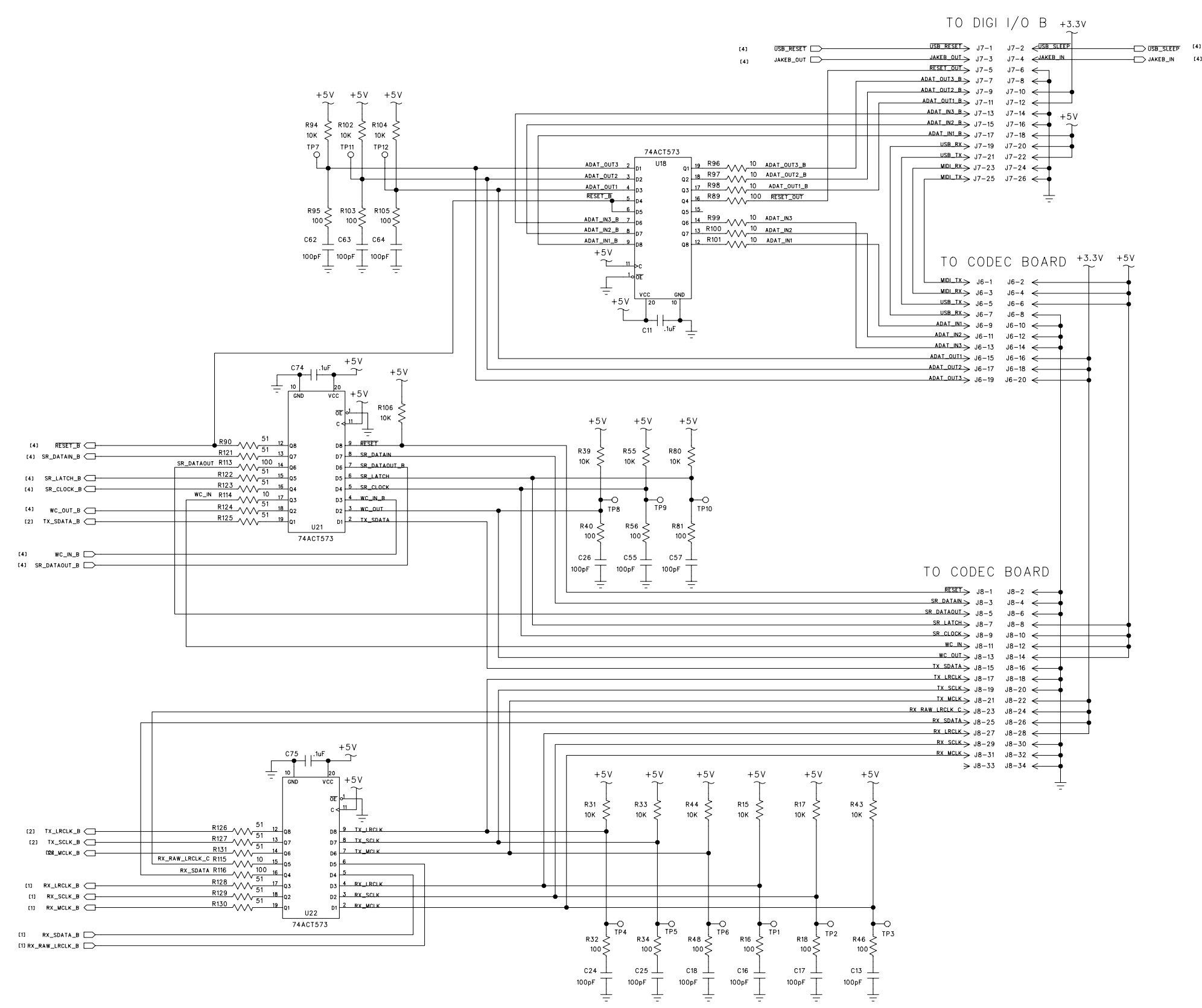
MACKIE
Mackie Designs Inc. Woodinville, Wa.

DMR Digi IO SPDIF - SPDIF/AES/WC

SIZE	SCALE:	DWG. NO.	REV.
D	NONE	0006879-00	A00
DWG FILE:		SHEET 2 OF 4	

D
C
B
A

D
C
B
A



- RVT1 712-021-01
- RVT1 CL END .125X.062-.125
- RVT2 RVT3 RVT4

MACKIE
Mackie Designs Inc. Woodinville, Wa.

DMR Digi IO SPDIF - SPDIF/AES/WC

SIZE: D	SCALE: NONE	DWG. NO. 0006879-00	REV. A00
DWG FILE:		SHEET 3 OF 4	

D

D

C

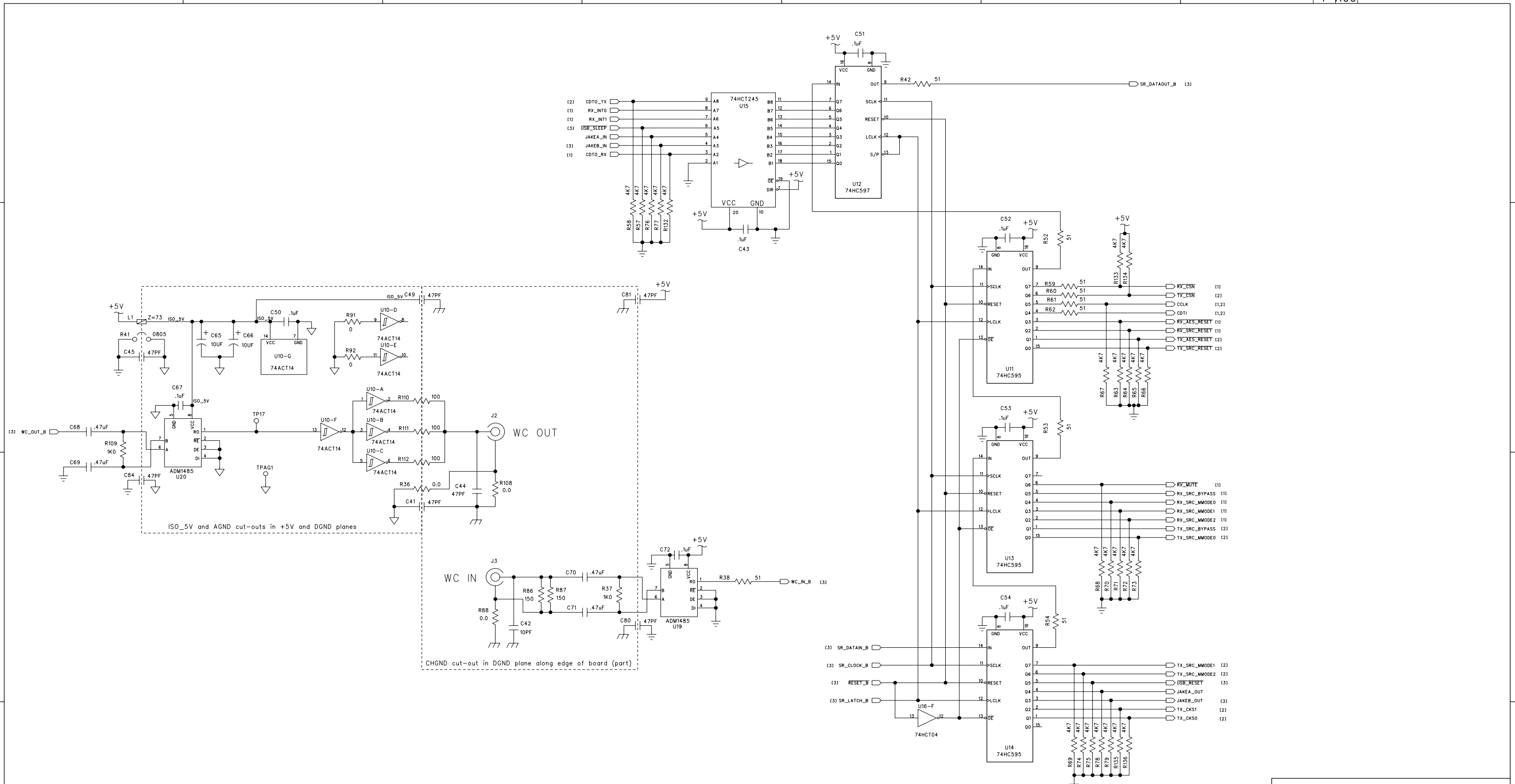
C

B

B

A

A



ISO_5V and AGND cut-outs in +5V and DGND planes

CHGND cut-out in DGND plane along edge of board (part)

MACKIE.
Mackie Designs Inc. Woodinville, Wa.

DMR Digi IO SPDIF - SPDIF/AES/WC

SIZE: D	SCALE: NONE	DWG. NO. 0006879-00	REV: A00
DWG FILE:		SHEET 4 OF 4	