

ECO#	REV:	DESCRIPTION	REV. BY:	APP. BY:	DATE
6734	A00	RELEASE TO PRODUCTION	mfp		01/29/04
7117	A02	CHANGED RIBBON CABLE	TH		5/28/04

D

C

B

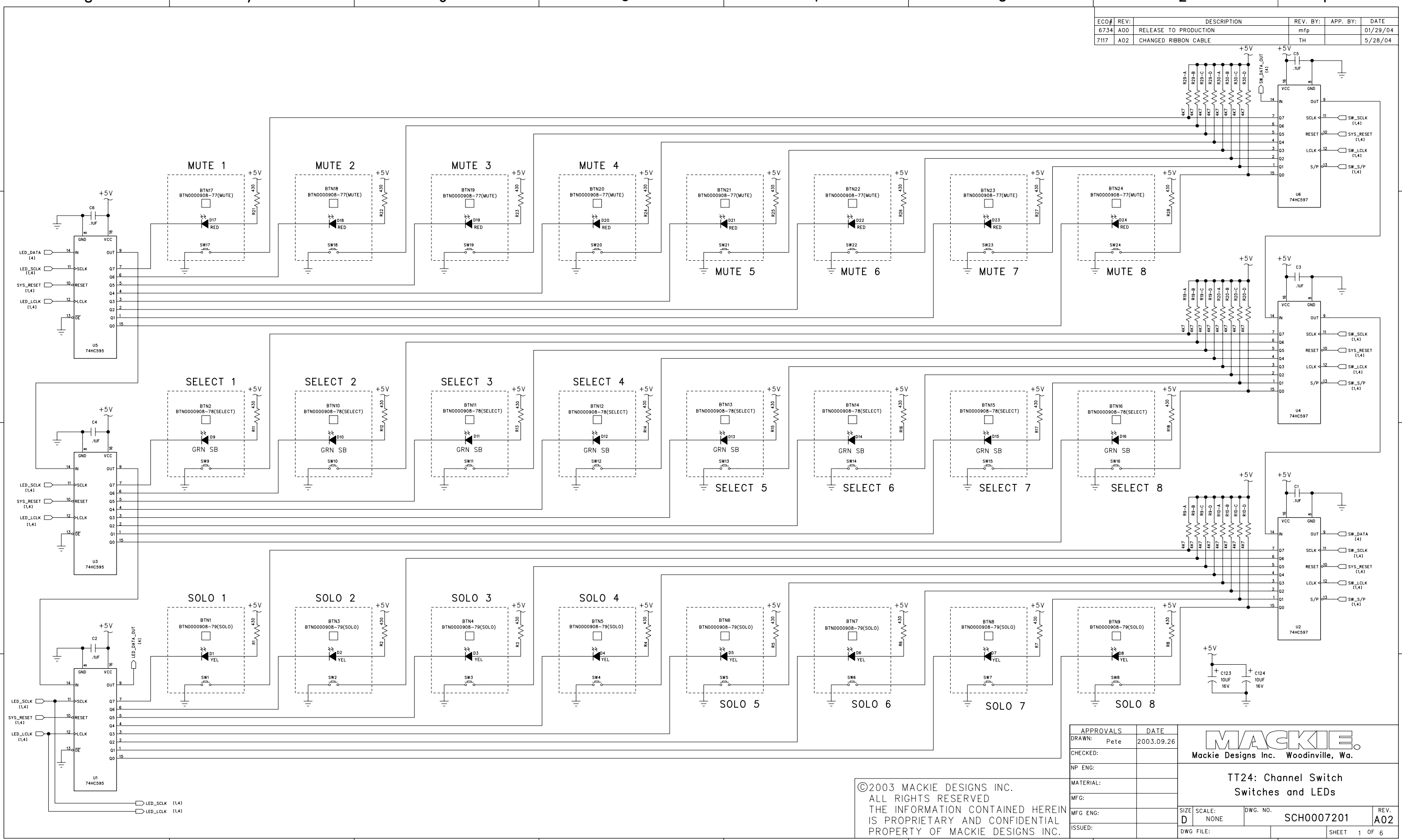
A

D

C

B

A

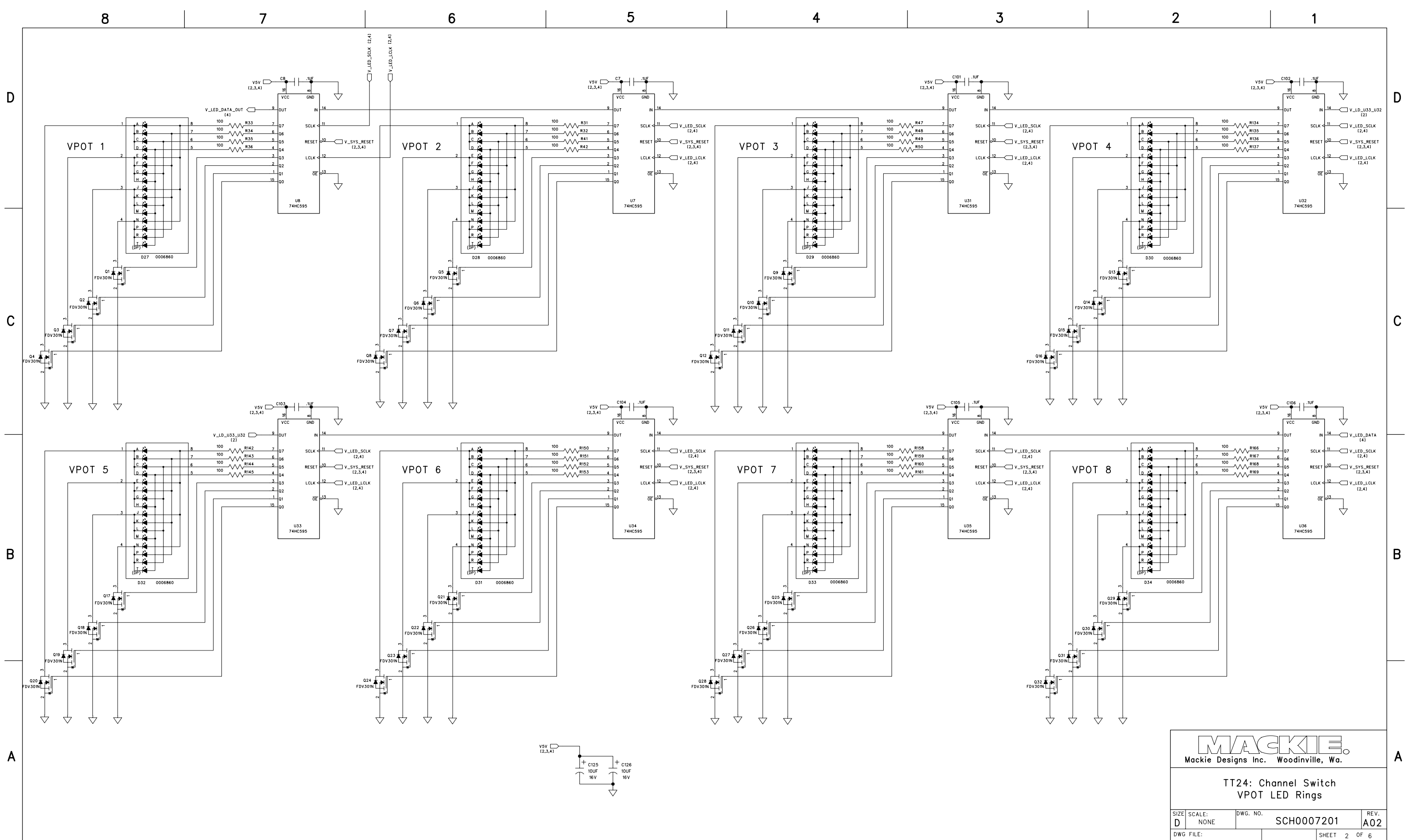


APPROVALS	DATE
DRAWN: Pete	2003.09.26
CHECKED:	
NP ENG:	
MATERIAL:	
MFG:	
MFG ENG:	
ISSUED:	

MACKIE
Mackie Designs Inc. Woodinville, Wa.

TT24: Channel Switch Switches and LEDs	
SIZE: D	SCALE: NONE
DWG. NO. SCH0007201	REV. A02
DWG. FILE:	SHEET 1 OF 6

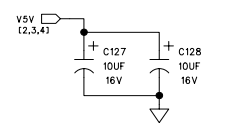
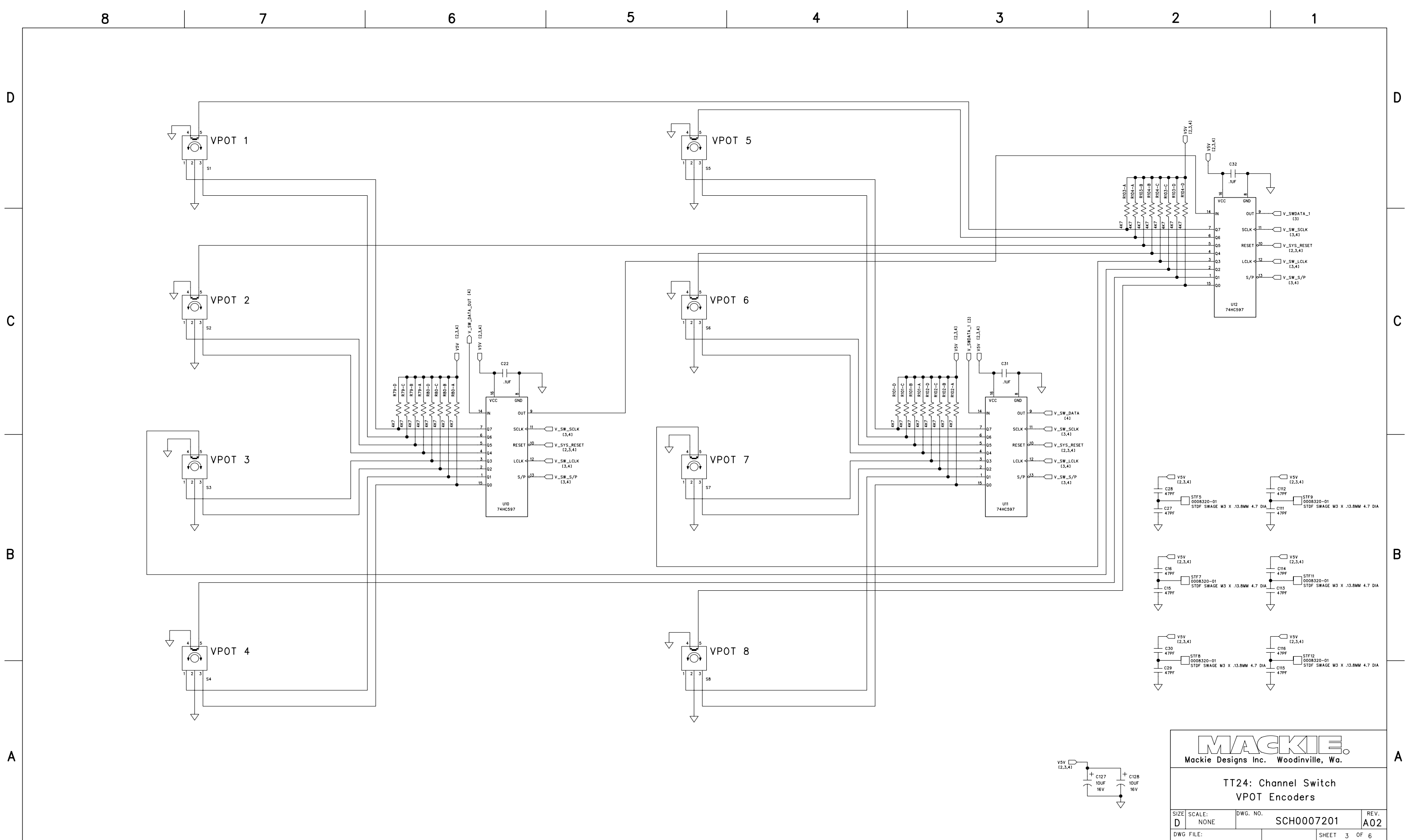
©2003 MACKIE DESIGNS INC.
ALL RIGHTS RESERVED
THE INFORMATION CONTAINED HEREIN
IS PROPRIETARY AND CONFIDENTIAL
PROPERTY OF MACKIE DESIGNS INC.



MACKIE.
Mackie Designs Inc. Woodinville, Wa.

TT24: Channel Switch
VPOT LED Rings

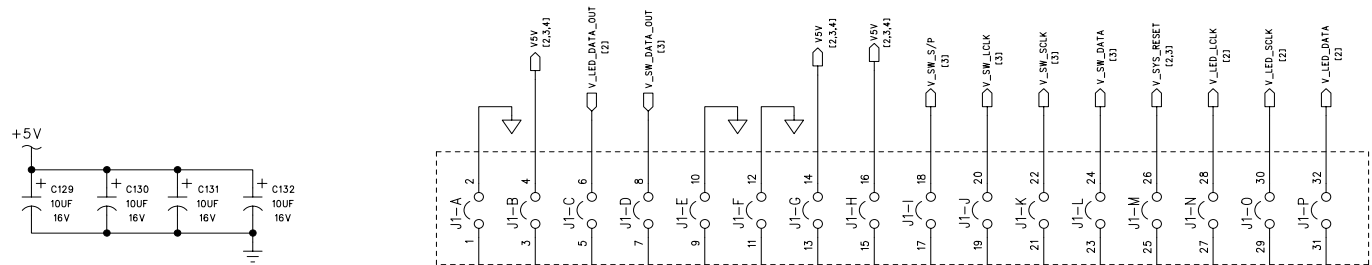
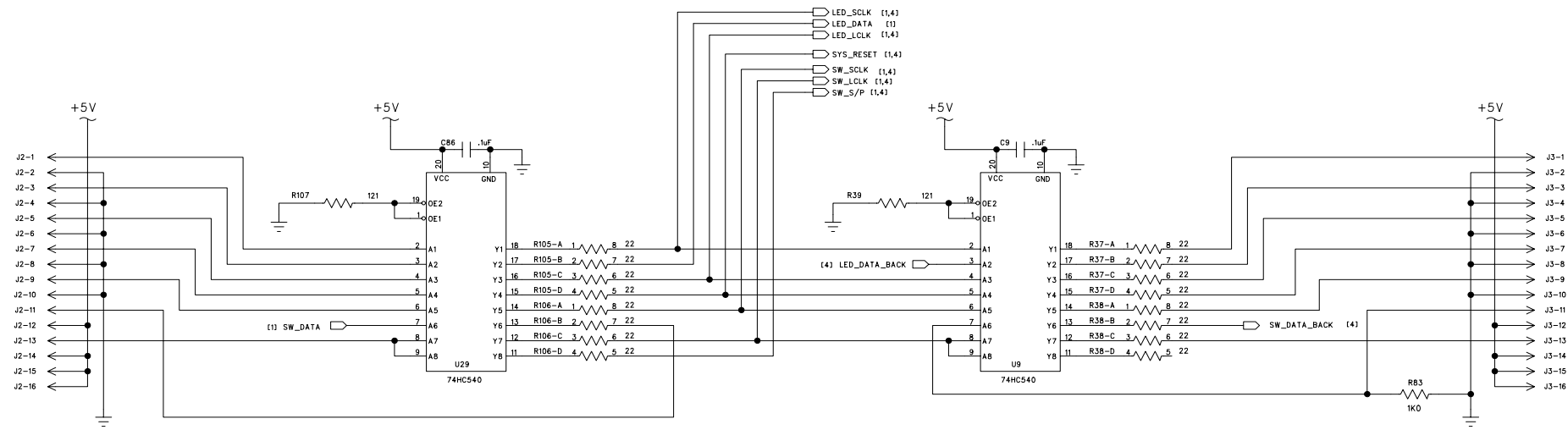
SIZE: D	SCALE: NONE	DWG. NO. SCH0007201	REV. A02
DWG FILE:		SHEET 2 OF 6	



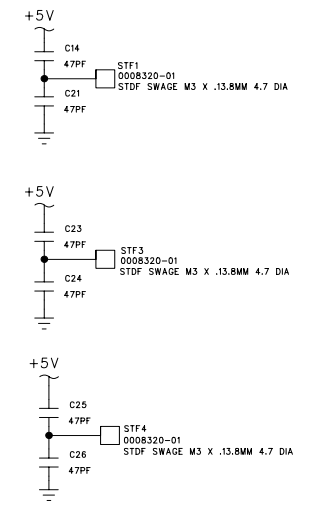
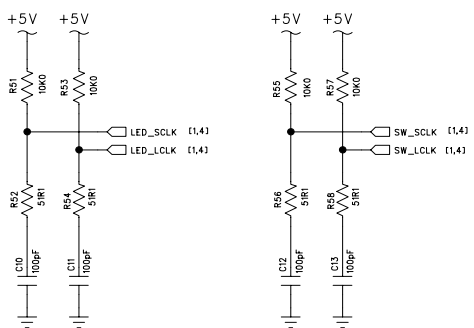
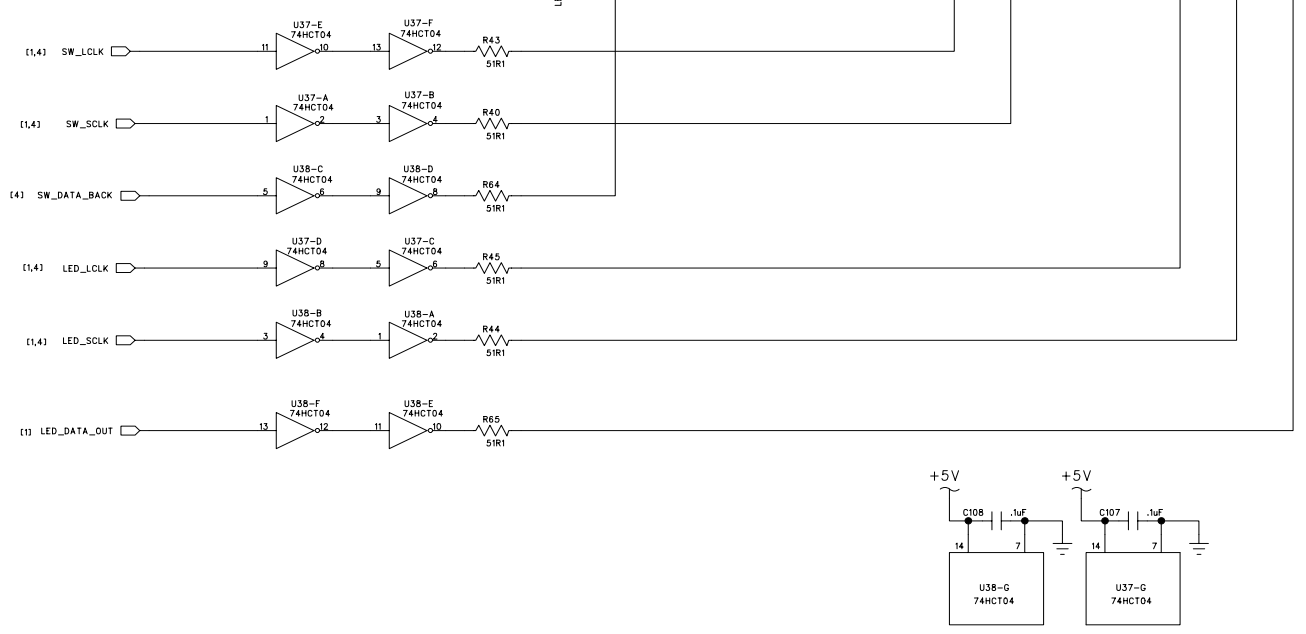
MACKIE.
Mackie Designs Inc. Woodinville, Wa.

**TT24: Channel Switch
VPOT Encoders**

SIZE: D	SCALE: NONE	DWG. NO.: SCH0007201	REV. A02
DWG FILE:		SHEET 3 OF 6	



Place C129 near J2
 PLace C130, C131 near J1
 Place C132 near J3

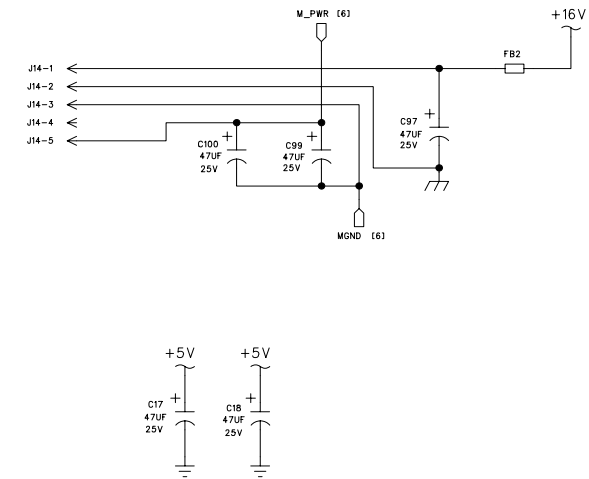
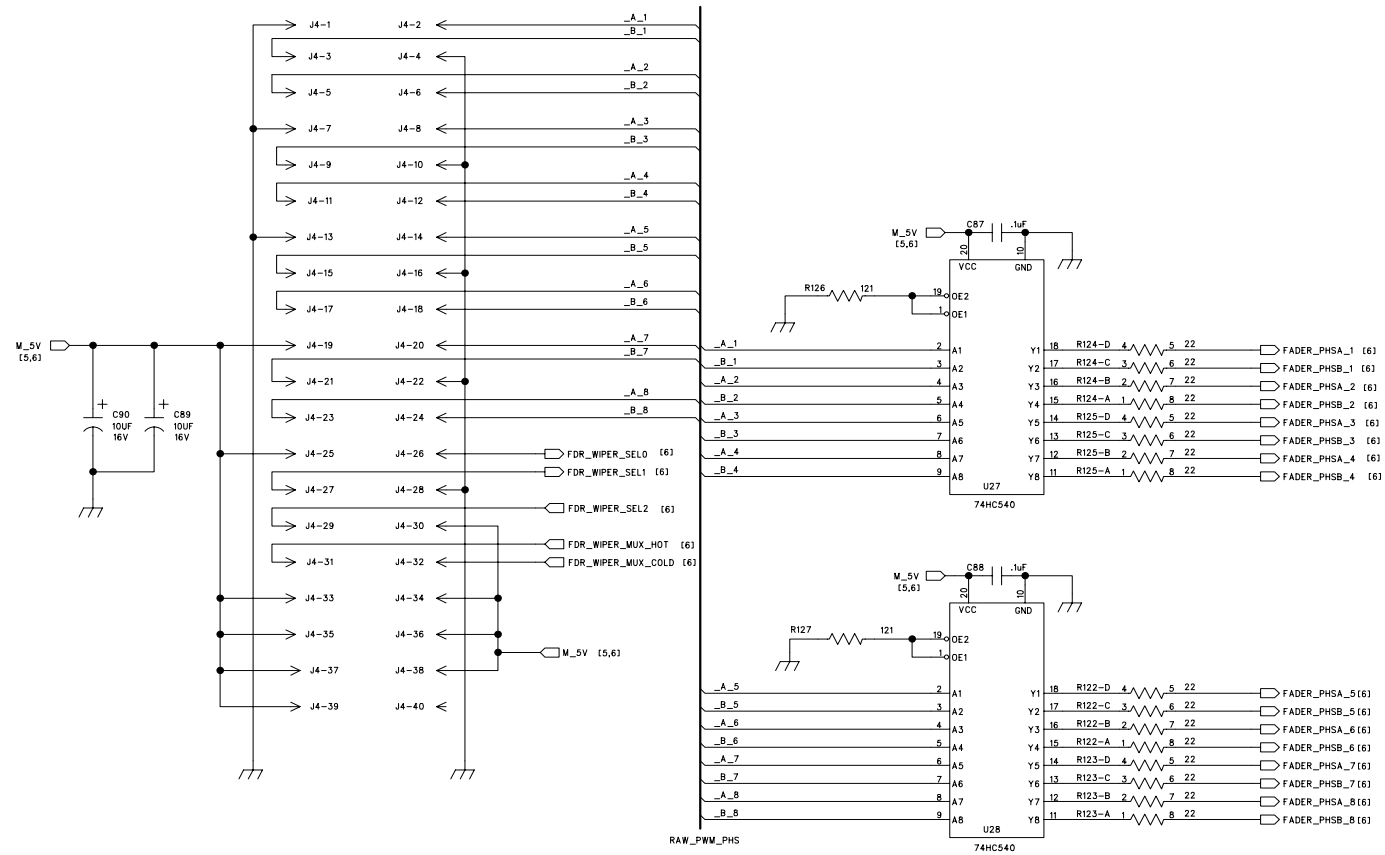


Z1 0007200-00
 PCB FAB TT24 Channel Switch

MACKIE.
 Mackie Designs Inc. Woodinville, Wa.

TT24: Channel Switch
 The Connectors

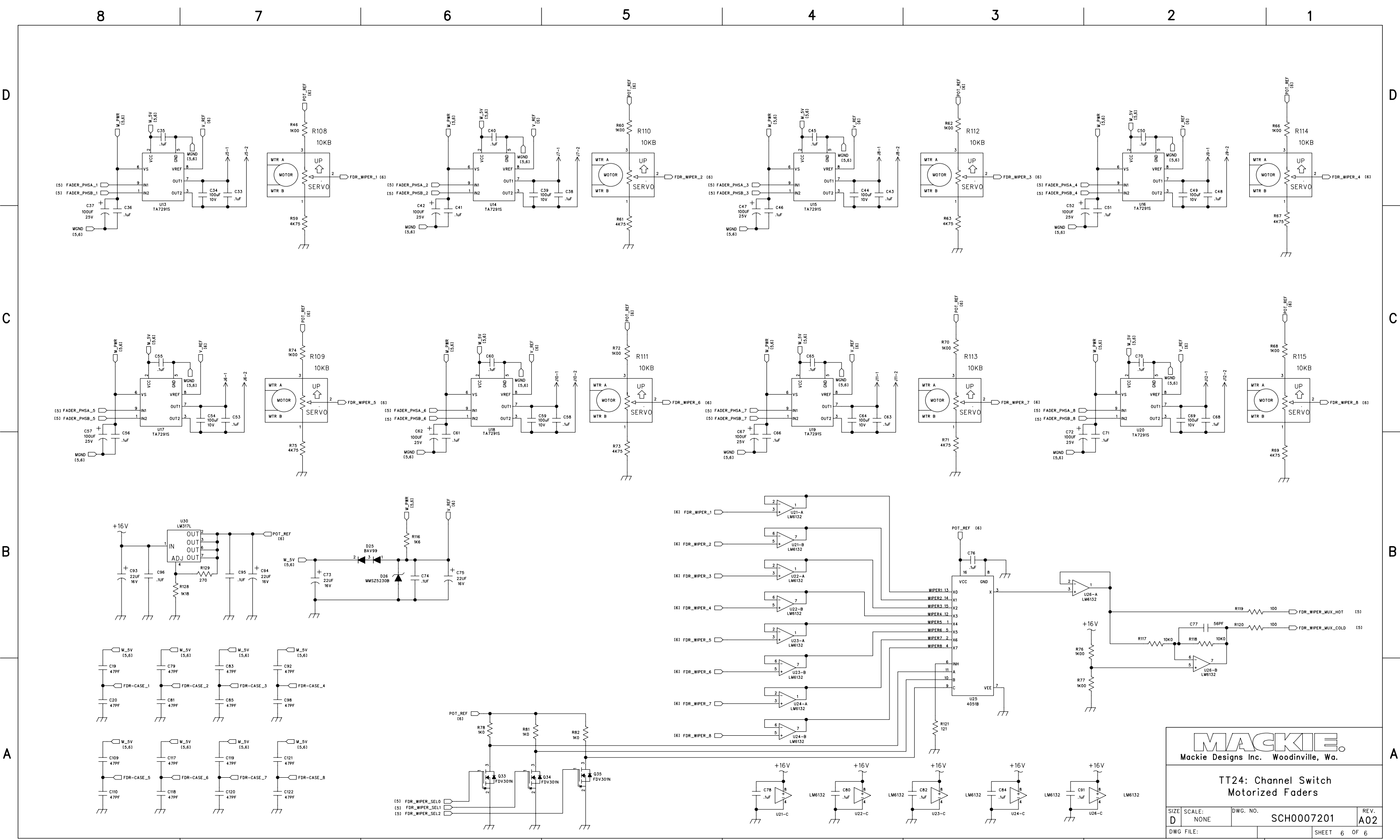
SIZE: D	SCALE: NONE	DWG. NO.: SCH0007201	REV.: A02
DWG FILE:		SHEET 4 OF 6	



MACKIE.
Mackie Designs Inc. Woodinville, Wa.

TT24: Channel Switch
PWM and power connectors

SIZE D	SCALE: NONE	DWG. NO. SCH0007201	REV. A02
DWG FILE:		SHEET 5 OF 6	



MACKIE
Mackie Designs Inc. Woodinville, Wa.

TT24: Channel Switch Motorized Faders

SIZE: D	SCALE: NONE	DWG. NO.: SCH0007201	REV. A02
DWG FILE:		SHEET 6 OF 6	