



## Mackie Dual D8B Setup

1. Connect the Ethernet port of the master D8B to the Ethernet port of the Slave D8B using an "ETHERNET CROSSOVER" cable.
2. Connect the Word Clock OUT of the "Master" to the Word Clock IN "Slave" D8B, using a 75ohm BNC cable.
3. Connect the output of the ALT I/O card from the "Slave" to the ALT I/O input of the "Master".
4. On the "Master" D8B, in the SETUP menu, do the following...
  - a. In the NETWORK menu, set the Network Channel to "NETWORK CHANNEL 1". In the Console Linking section, select all the functions you would like to have linked.
  - b. Under the FTP MENU, set the IP Address to 10.10.28.20 and the Subnet Mask to 255.255.0.0
  - c. In the DIGITAL I/O page, set the sample rate to that of your session and make sure the clock source is set to "Internal".
5. On the FX Bank of the "Master" D8B, disable 'Solo Mute' on the return channels 1-8 (last 8). To do this, hold the "Alt" button on the console while pushing the solo button on each channel (This will prevent these channels from muting when you solo a channel).
6. On the "Slave" D8B, in the SETUP menu, do the following...
  - a. In the NETWORK menu, set the Network Channel to "NETWORK CHANNEL 1". In the Console Linking section, select all the functions you would like to have linked. In the ALT I/O section, select "BUS OUTS 1-8".
  - b. Under the FTP MENU, set the IP Address to 10.10.28.30 and the Subnet Mask to 255.255.0.0
  - c. In the DIGITAL I/O page, set the sample rate to that of your session and make sure the clock source is set to "Word Clock".

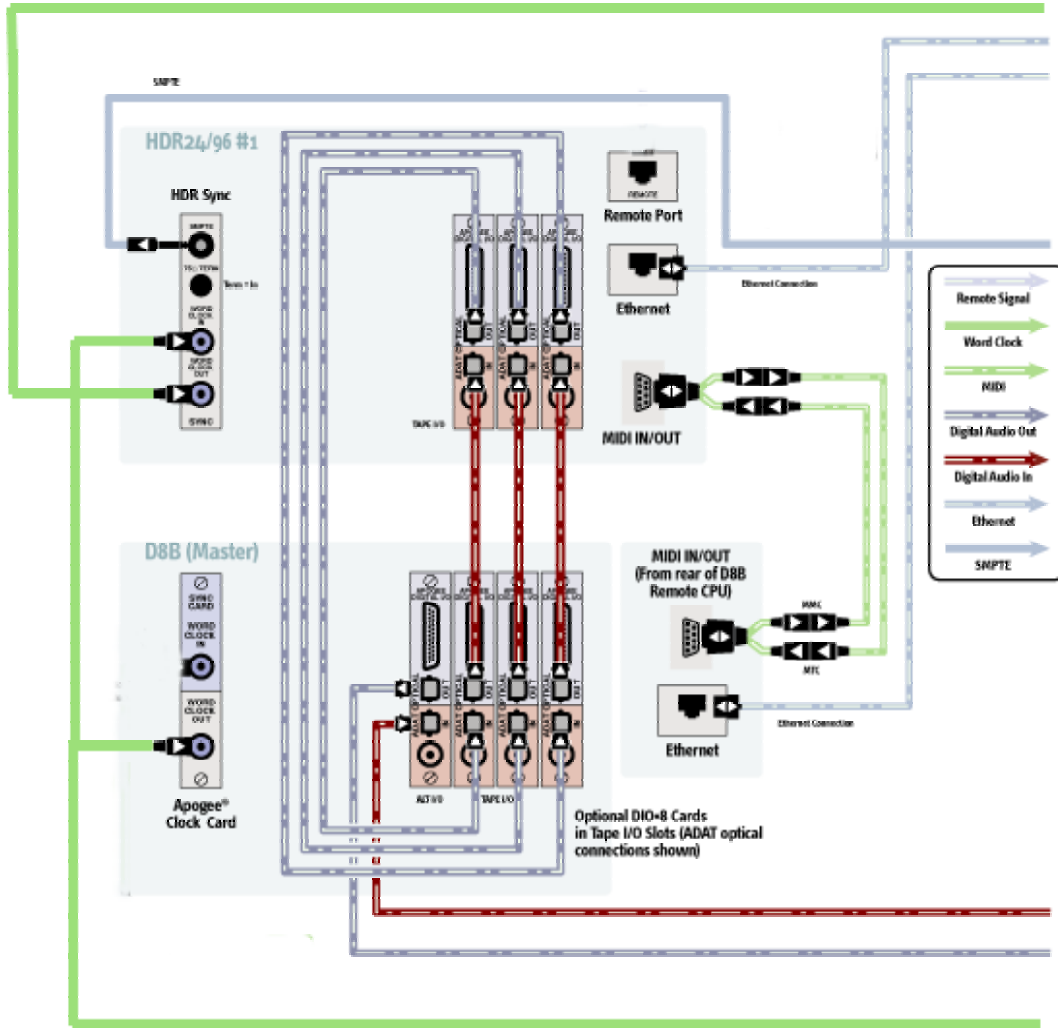
-In this setup, your Slave D8B will output audio from the Bus outs. These Bus outs will feed signal to the 8 return channels on the Master D8B. These return channels will be mixed in with the other channels on the Master to feed the master outputs and control room outs.

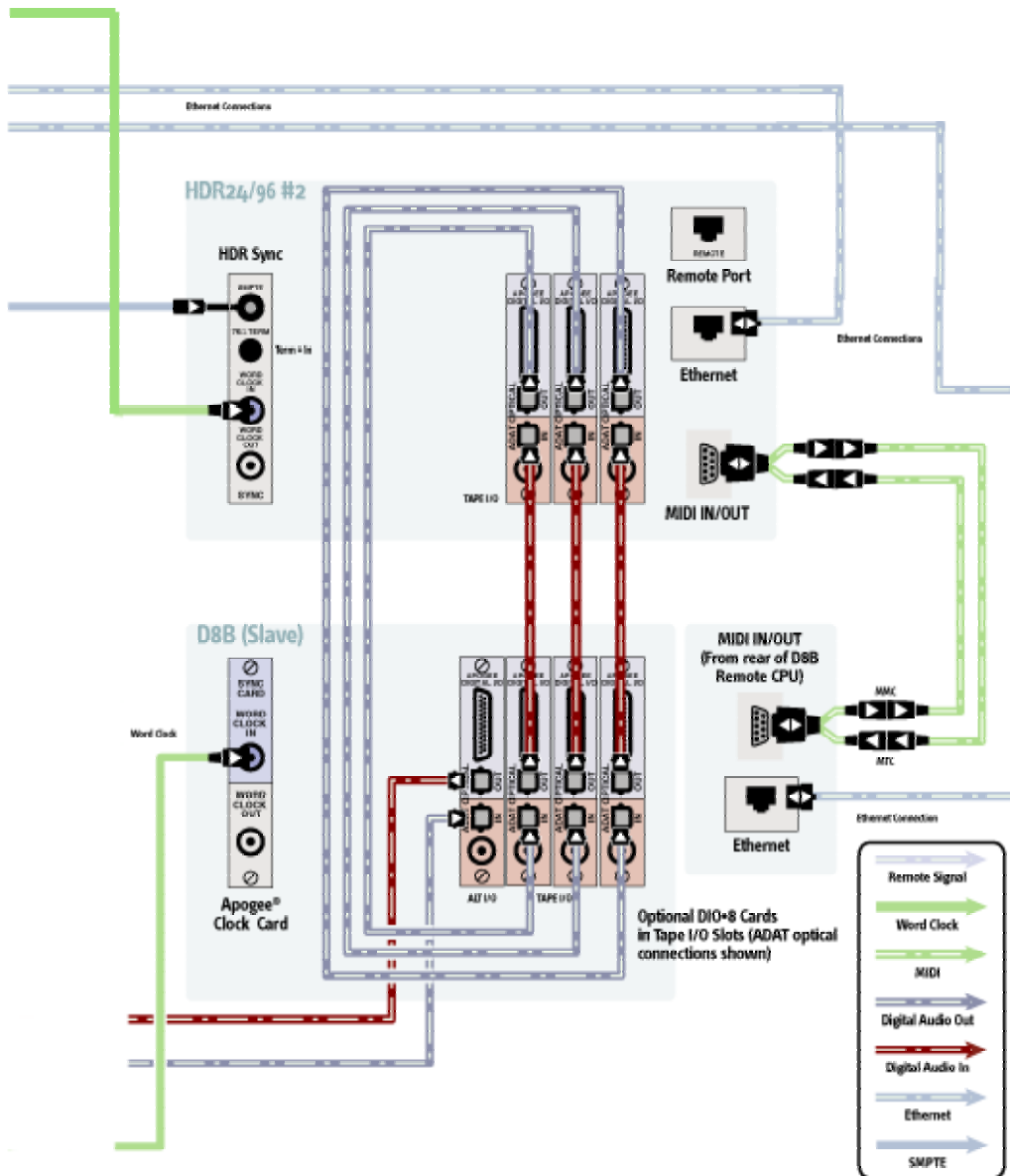


# DUAL HDR 24/96

# AND DUAL D8B

SETUP AND HOW





Continued from previous page