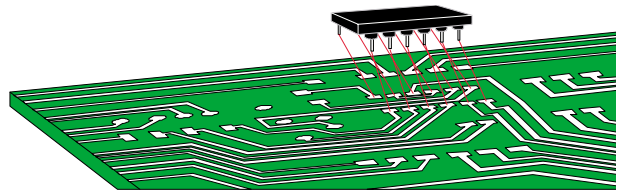


MACKIE®



THE MACKIE FIXER • MACKIE DESIGNS SERVICE NEWS

HDR 24/96 EPROM Replacement

Models affected:

If you are working on an HDR 24/96 hard disk recorder before serial number CD11218, please update the EPROM to Revision 1.2 or higher. Changing the EPROM may be one fix for the "system error 43" message.

Note:

If the EPROM is before Rev 1.2, the initial front panel message "loading..please wait" is all lower case letters.

If the EPROM is Rev 1.2, then the initial front panel message "Loading..Please Wait," has some upper case letters.

MACKIE DIGITAL SYSTEMS
HDR 24/96
loading, please wait

MACKIE DIGITAL SYSTEMS
HDR 24/96
Loading, Please Wait

*HDR 24/96
front panel
display just
after turn-on*

Safety Warning:



Caution! These instructions are for use by qualified personnel only. To avoid electric shock, do not perform any servicing unless you are qualified to do so. Refer all service to qualified personnel.

ESD Warning:



Caution! The HDR 24/96 should be treated with respect and repaired using all standard ESD precautions.

Tools Required:

Phillips screwdriver, ESD wriststrap and workstation

Parts Required:

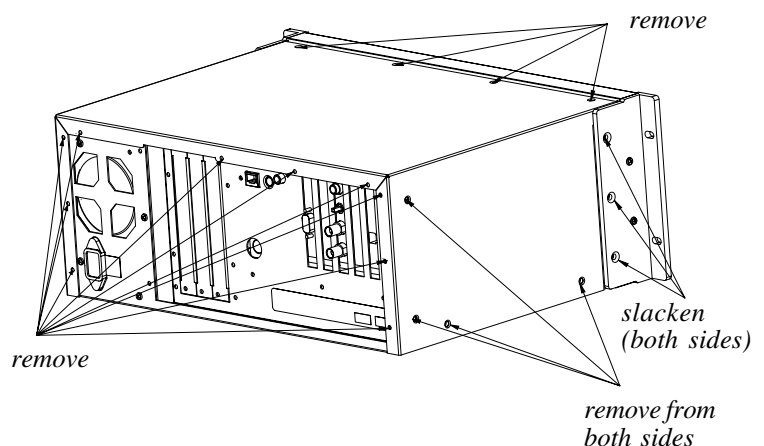
EPROM (revision 1.2 or higher) 080-174-00

Overview

The EPROM replacement is not a major job, so fear not. The EPROM is fitted to a socket on the Brain board in front of the internal hard drive.

Procedure:

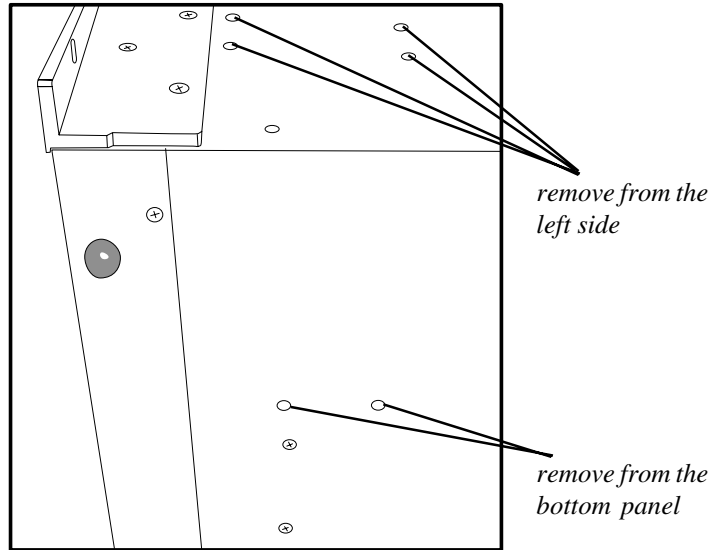
1. Turn off the power to the HDR 24/96.
2. Remove all cords (including the power cable and cables) from the HDR 24/96.
3. Place the HDR 24/96 on a soft surface.
4. Undo the three screws on each of the rack brackets, just enough to give a little slack when removing the top cover.
5. Remove the top cover by undoing the other screws shown.



Procedure continued:

6. Remove the four side screws and two bottom screws securing the internal hard drive assembly to the chassis. This gives a little bit more access to the Brain board, as the hard drive assembly can move backwards a small distance.

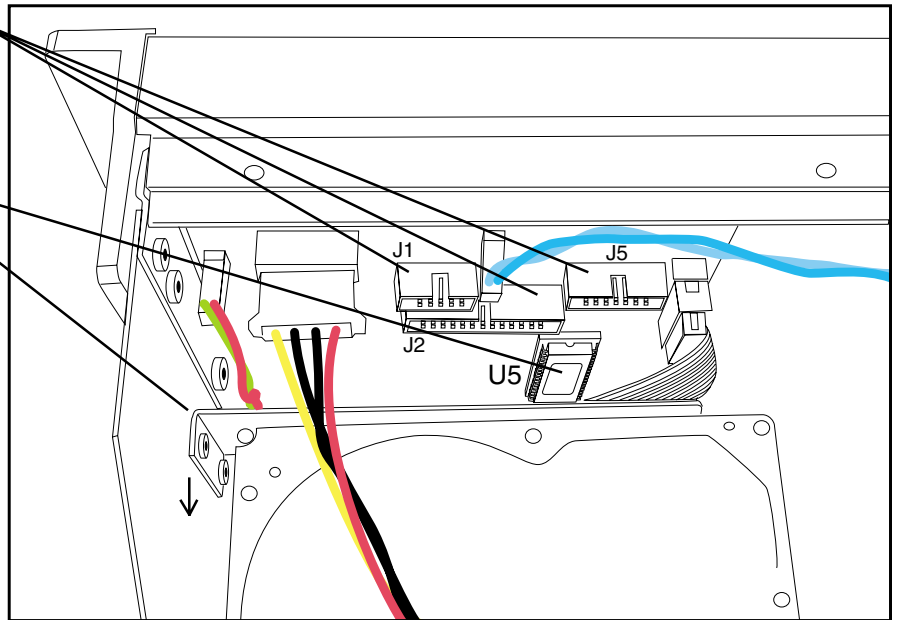
You can also remove the hard drive assembly if you prefer. Make a note of all the connections and the exact cable routing for when you put it back in.



7. Undo the connectors at J1, J5 and J2 on the Brain board. Move them out of the way so you can reach the EPROM U5.

8. Slide the hard drive assembly backwards to give you some room, and then use a small screwdriver to remove the existing EPROM from its socket.

9. You should first bend the legs of the EPROM to make sure they are straight down. Then carefully and securely put in the new EPROM, making sure that each pin is in its socket. The notched end of the EPROM should point upwards.



10. Replace the six hard drive screws.
11. Replace the top cover and secure all the screws, including the rack bracket screws.
12. Perform a complete specification test before returning the HDR 24/96 to the customer.
13. The old EPROM may be saved and recycled as a unique earring, bound to break the ice at service technician parties.

