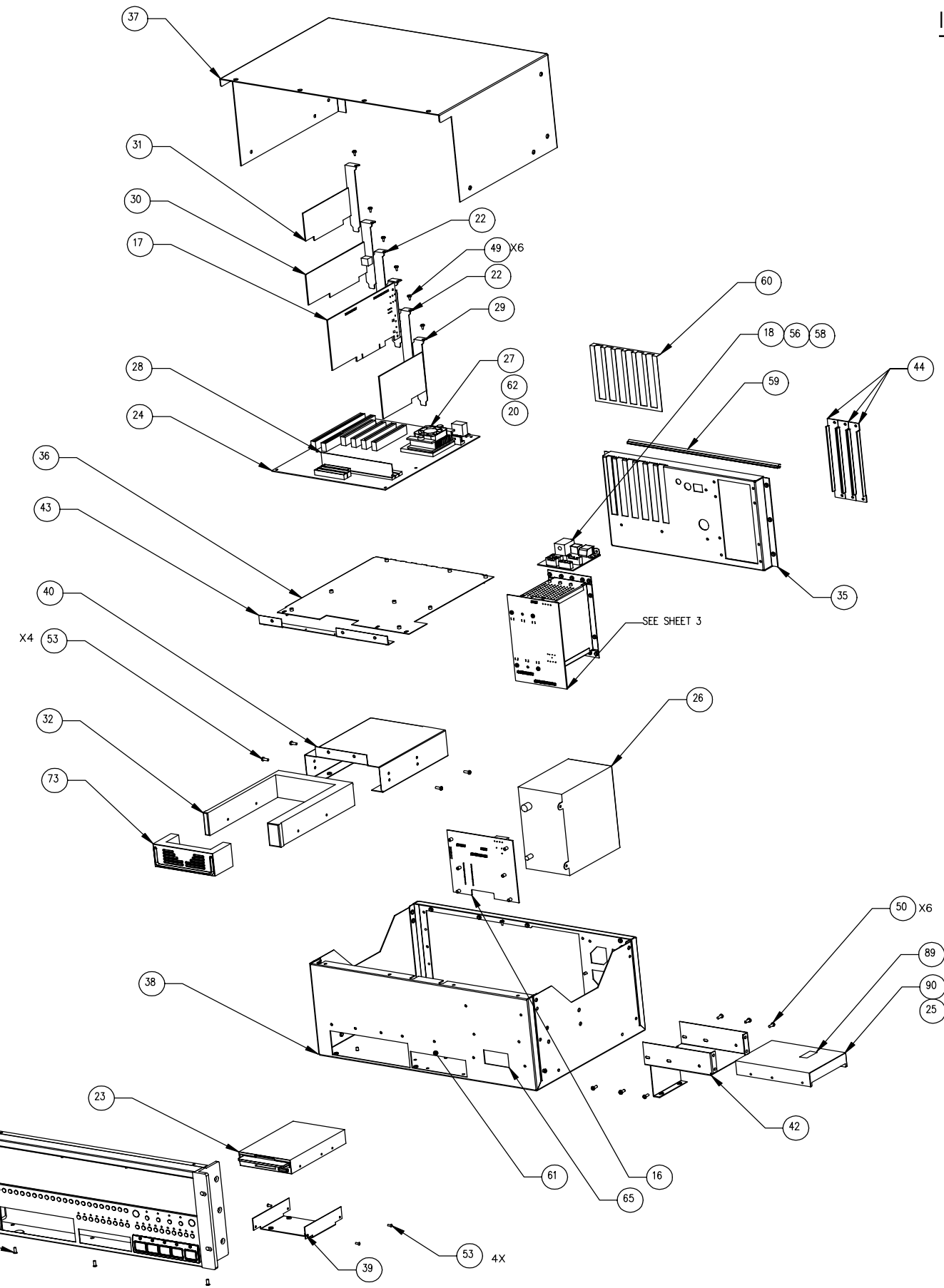


The Item numbers (shown in circles) correspond to the Item numbers in the first column of the parts list.

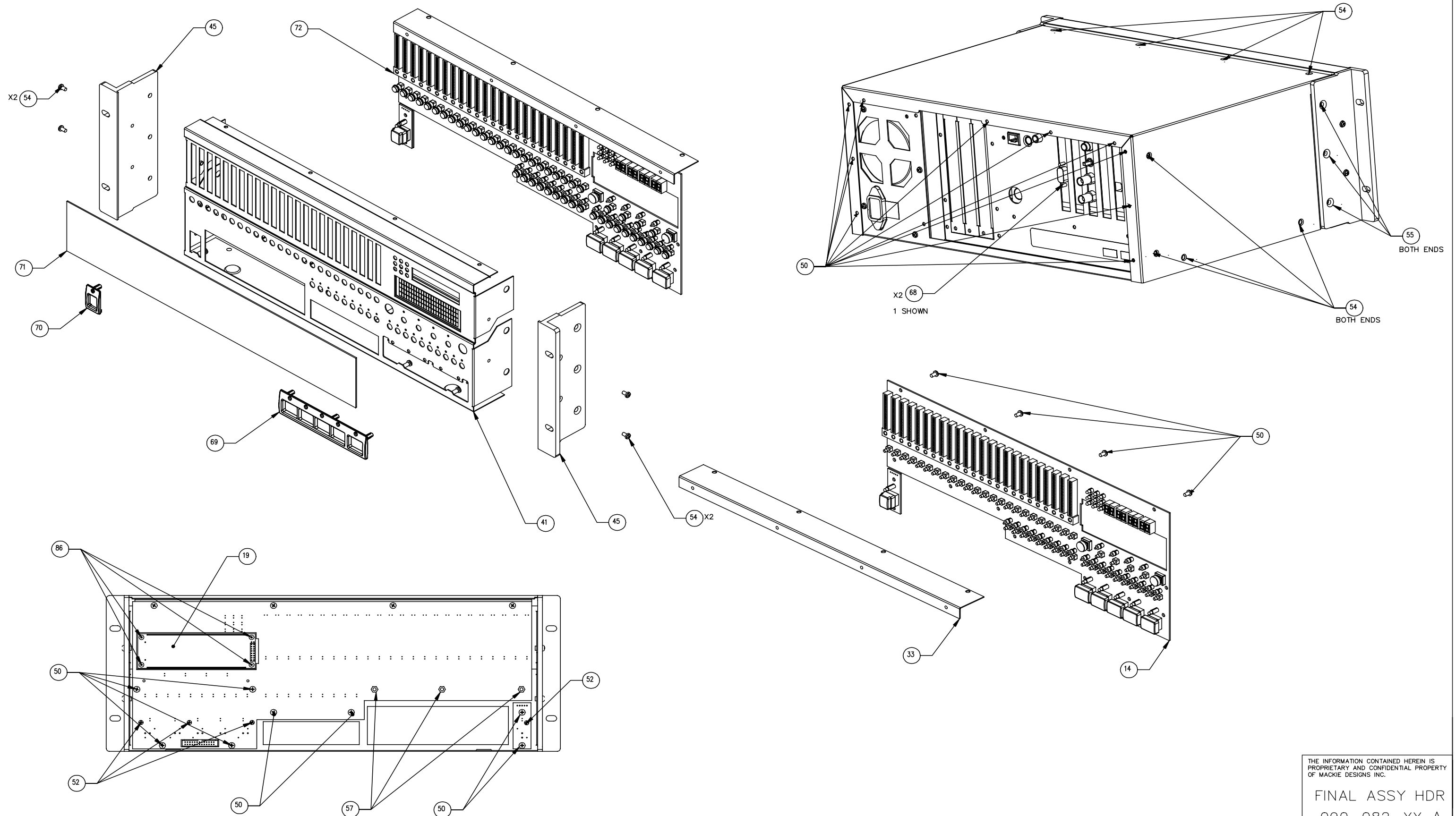
### Parts List 090-082-00 Rev A HDR 24/96 120VAC

See also the full parts list (chapter A)



Item	Part #	Description	Rev	Quantity
3	040-383-00	RIB 28GA 10C 14.0 PLZD	A	1
4	040-384-00	RIB 28GA 26C 4IN PLZD	B	1
5	040-385-00	RIB 28G TRANS 34C 18.5IN	B	1
6	040-386-00	RIB 28G 26C .100 14.50IN	B	1
7	040-387-00	RIB 28GA 14C 16.0 PLZD	A	1
9	040-390-00	RIB 28GA 10C 7.00 PLZD	B	2
12	040-393-00	CBL ASY 22G 4C/6P 9.0IN	A	1
13	040-438-00	RIB 28GA 16P .100 15.50IN	A	1
	040-489-00	DIS 18GA 4C 4.5IN PWR/MOL	A	1
	040-496-00	DIS 18GA 4C 14IN PWR EX	A	1
	040-497-00	DIS 22G 1007 2C/12P	A	1
14	055-178-00-01	PCB ASSY FRONT PANEL HDR	A3A1	1
15	055-179-00-01	PCB ASSY BACKPLANE HDR	AA1	1
16	055-180-00-01	PCB ASSY BRAIN HDR	BA1	1
18	055-268-00-01	PCB ASSY RMT I/O HDR	A1A1	1
	055-359-00-01	PCB ASSY HDR179 POSTSTAMP	AA1	1
	055-367-00-01	PCB ASSY ACUMA HDR	A7A2	1
19	080-180-00	SA LCD ASSY HDR	A	1
	080-218-03	OP SYS DISK 1 PRGMD V1-0	A A1	1
	080-218-04	OP SYS DISK 2 PRGMD V1-0	AA1	1
	080-246-00	SA DATA CABLES HDR	B	1
	080-247-00	SA POWER SUPPLY HDR	A	1
20	329-088-03	MICROPROC CELERON 433MHZ	A	1
	400-406-00	ADAPTER MIDI BRKOUT CABLE	A	1
22	480-024-00	BRKT BLANK PORT	A	2
23	480-029-00	OEM FLOPPY DRV 3.5 BLACK	B	1
24	480-039-00	OEM PCB MOTHER CB50-BX	AA1	1
25	480-040-00	OEM HARDDRIVE 20.4G	BA1	1
32	480-041-00	OEM DRIVE FRAME BLACK	A	1
27	480-043-00	OEM FAN MICROPROC	AA1	1
29	480-045-00	OEM VIDEO CARD	AA1	1
30	480-046-00	OEM ETHERNET CARD	AA1	1
31	480-053-00	OEM MIDI CARD WINMAN1X1	AA1	1
	480-062-00	SDRAM 128MB 2MX8 DIMM MOD	B A1	1
33	550-266-00	BRACKET FRONT PANEL HDR	A	1
34	550-309-00	CARD CAGE HDR	B	1
35	550-311-00	CARD RACK HDR	C	1
36	550-313-00	SUB CHASSIS HDR	C	1
37	550-314-00	PNT TOP COVER HDR	B	1
38	550-315-00	FAB ZINC-PLATED CHAS HDR	F	1
39	550-316-00	BRACKET 3.5 HDR	A	1
40	550-317-00	BRACKET 5.25 HDR	C	1
41	550-318-00	SCN FRONT PANEL HDR	C	1
42	550-319-00	BRACKET HARD DRIVE HDR	B	1
43	550-320-00	BRACKET SUB CHASSIS HDR	C	1
44	550-332-00	PNT BLANK COV PLATE SM D8	B	3
45	551-087-00	PNT EXTR RACKEAR HDR	C	2
50	700-028-00	SEMS 6-32X1/4 PHP BLKZC	B	60
	700-034-00	SEMS 4-40X1/4 PHP BLKZC	A	10
51	700-036-02	MCH 6-32X1/4 FLT100DG CLR	A	29
52	700-055-00	MCH 4-24X3/8 PHP BLK HILO	A	4
53	700-085-03	SCR PHP M3X6 STL BLK ZC	A	8
54	700-086-00	TF 6-32X3/8 FL 100DG BLK	A	16
	700-126-01	SCR 6-32X1/4 FL UNCUT BLK	A	3
55	700-129-02	SCR 10-32X1/2 FLT PHP BLK	A	6
	700-135-00	SEMS 6-32X1/4 PHP CL ZINC	A	19
49	701-002-00	SM B 6X1/4 PHP BLKZC	A	6
56	705-029-00	NUT HEX W/400-287-00	A	AR
57	706-097-00	STDF HEX 6-32 .562L M/F	A	3
57	706-097-00	STDF HEX 6-32 .562L M/F	A	2
58	710-046-00	WASH FLAT W/400-287-00	A	AR
57	706-097-00	STDF HEX 6-32 .562L M/F	A	2
59	712-077-00	GASKET EMI CLP FDR 11.5IN	A	1
60	712-078-00	GSKT EMI BKPLN SHLD 6SLOT	A	1
61	712-079-00	GASKET EMI PERP CLIP .5IN	A	1
62	730-001-00	THERMAL JOINT COMPOUND	A	AR
	740-001-00	TYRAP 3-1/4L	A	7
	740-002-00	TYRAP MOUNT .75 X .75	B	1
	740-007-02	GROMMET STRIP LARGE	A	AR
66	740-017-00	CARD GUIDE 4.0L SNAP-IN	A	6
	740-023-00	FLT CBL CLMP NYL LOCK 40C	A	1
	750-001-00	BUMPON ROUND BLK .63X.31	A	4
68	760-130-00	DUST CVR 9S/15HD DSUB F B	A	2
70	760-159-01	PWR SW BEZEL HDR POWER	C	1
73	760-172-00	PLUG HARD DRIVE BAY HDR	A	1
	760-175-02	TRSPRT BTN BEZEL HDR	B	1
71	780-047-00	LEXAN METER HDR	A	1
72	780-152-00	FOAM GASKET LED HDR	A	1
	860-047-01	OP SFTWR HD V1.0 HDR	A	AR
	640-001-00	LC IEC SJT 10A/125V 6FT	D	1

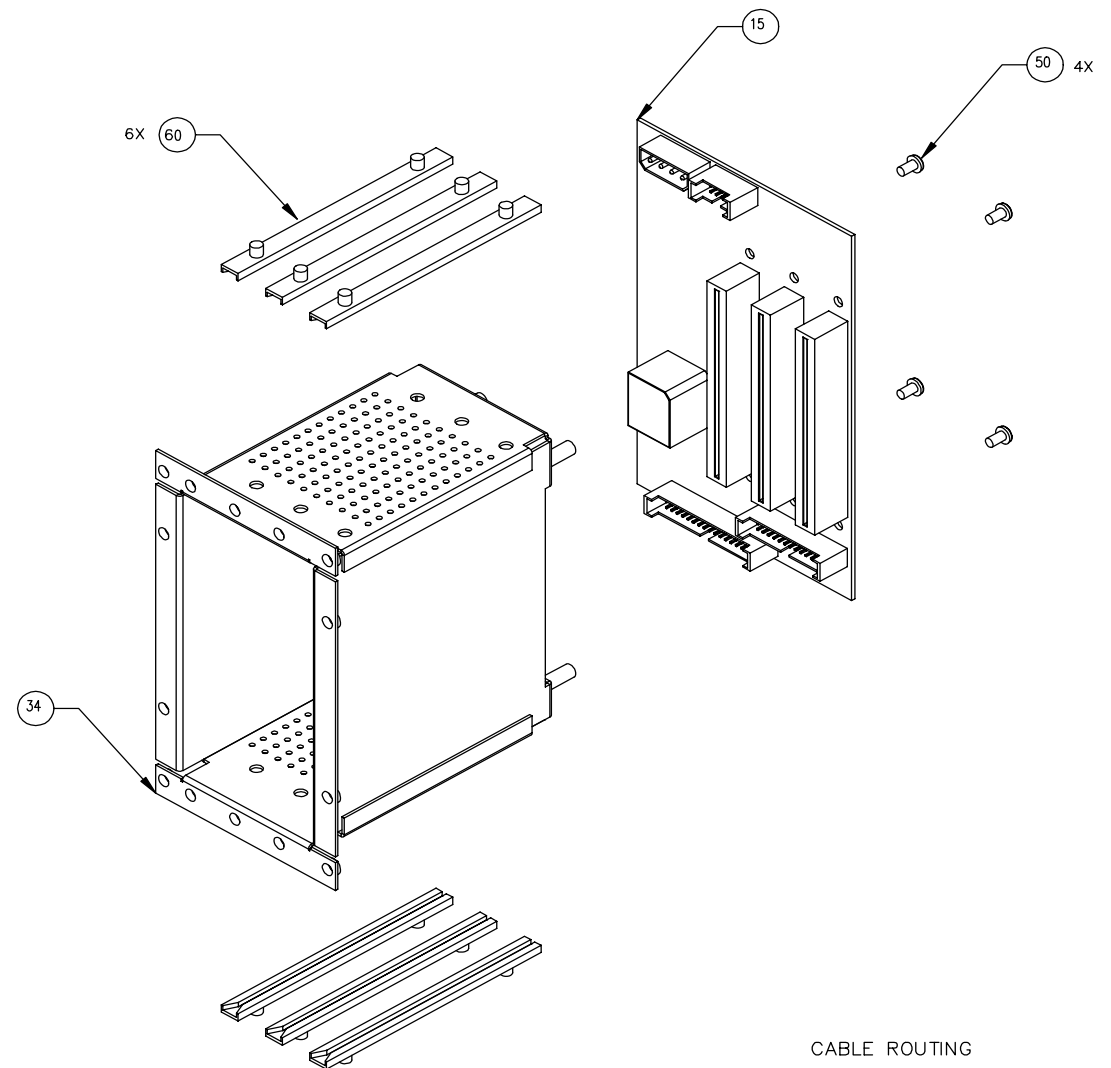
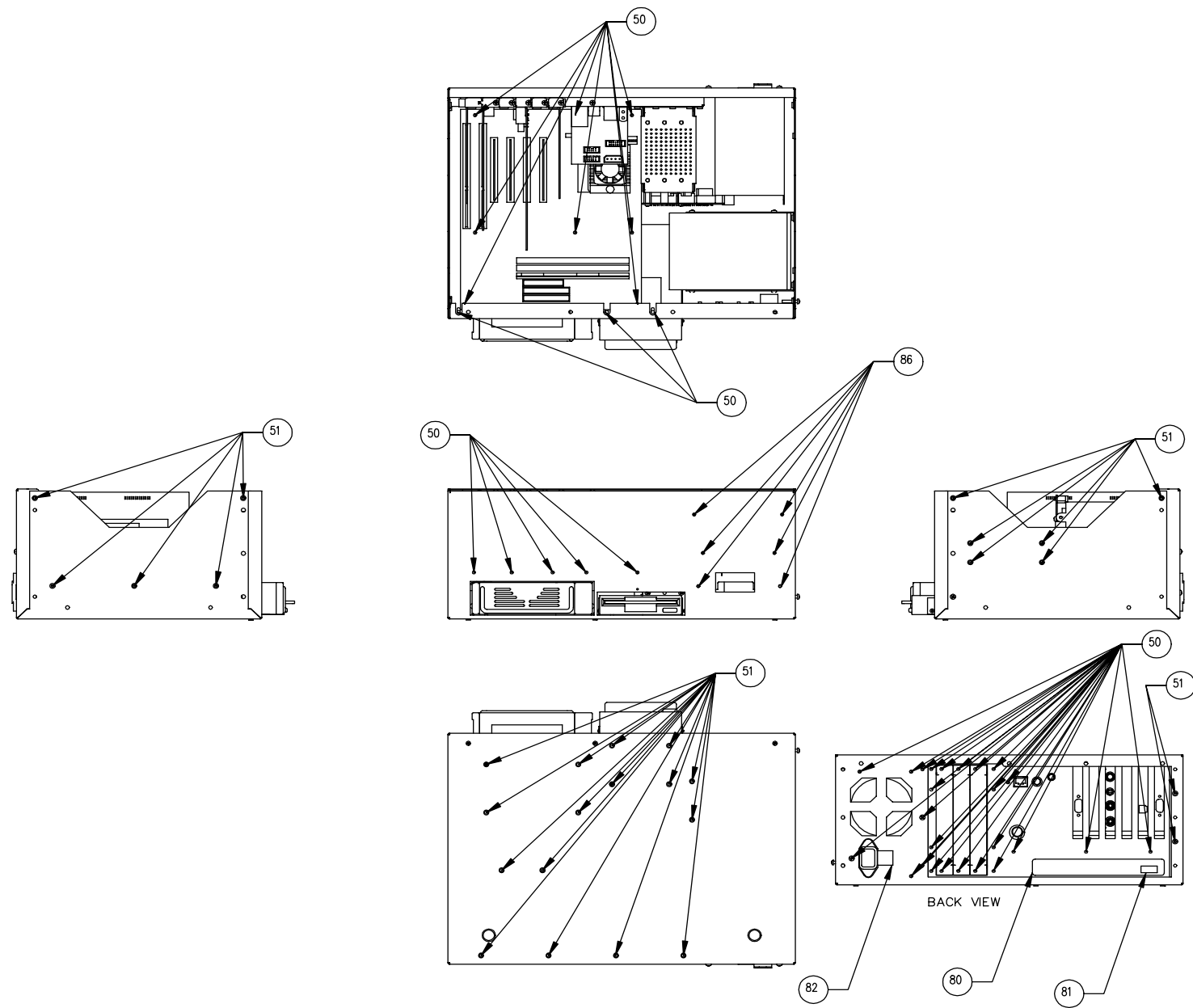
DASH	VOLTAGE	THE INFORMATION CONTAINED HEREIN IS PROPRIETARY AND CONFIDENTIAL PROPERTY OF MACKIE DESIGNS INC.  <b>FINAL ASSY HDR</b> 090-082-XX A SHEET 1 OF 3
-01	120V	
-02	230V	
-03	100V	
-04	220V	



THE INFORMATION CONTAINED HEREIN IS PROPRIETARY AND CONFIDENTIAL PROPERTY OF MACKIE DESIGNS INC.

FINAL ASSY HDR  
090-082-XX A

SHEET 2 OF 3



CABLE ROUTING

CABLE	FROM	TO	COMMENTS
1	(23)	(24)	
2	(26)	(32)	
3	(15)	(16)	
4	(14)	(16)	
5	(15)	(17)	
6	(15)	(17)	
7	(18)	(16)	
8	(16)	(24)	SURROUNDED BY 3 LOOPS (46)
9	(18)	(24)	
10	(25)	(24)	PRIMARY
11	(18)	(24)	SECONDARY
12	(18)	(24)	
13	(18)	(19)	

THE INFORMATION CONTAINED HEREIN IS PROPRIETARY AND CONFIDENTIAL PROPERTY OF MACKIE DESIGNS INC.

FINAL ASSY HDR  
090-082-XX A

SHEET 3 OF 3