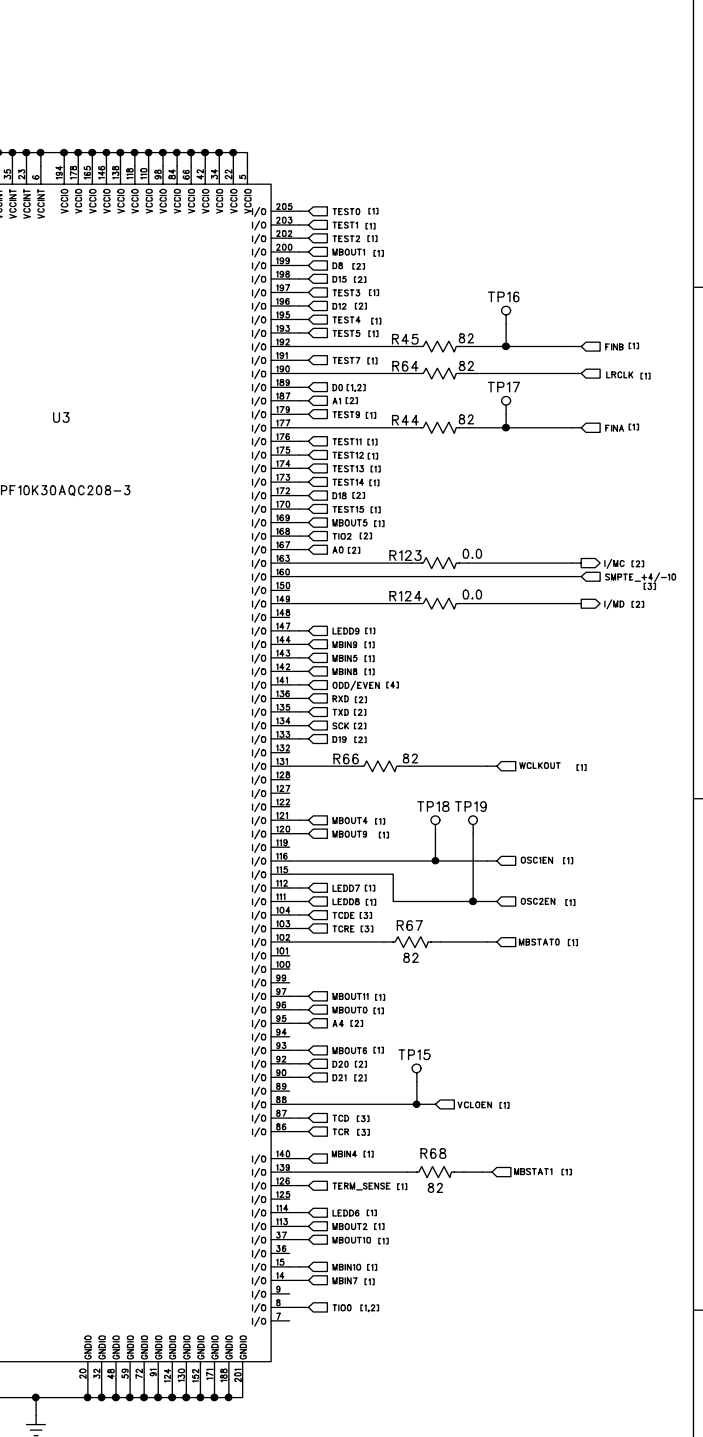
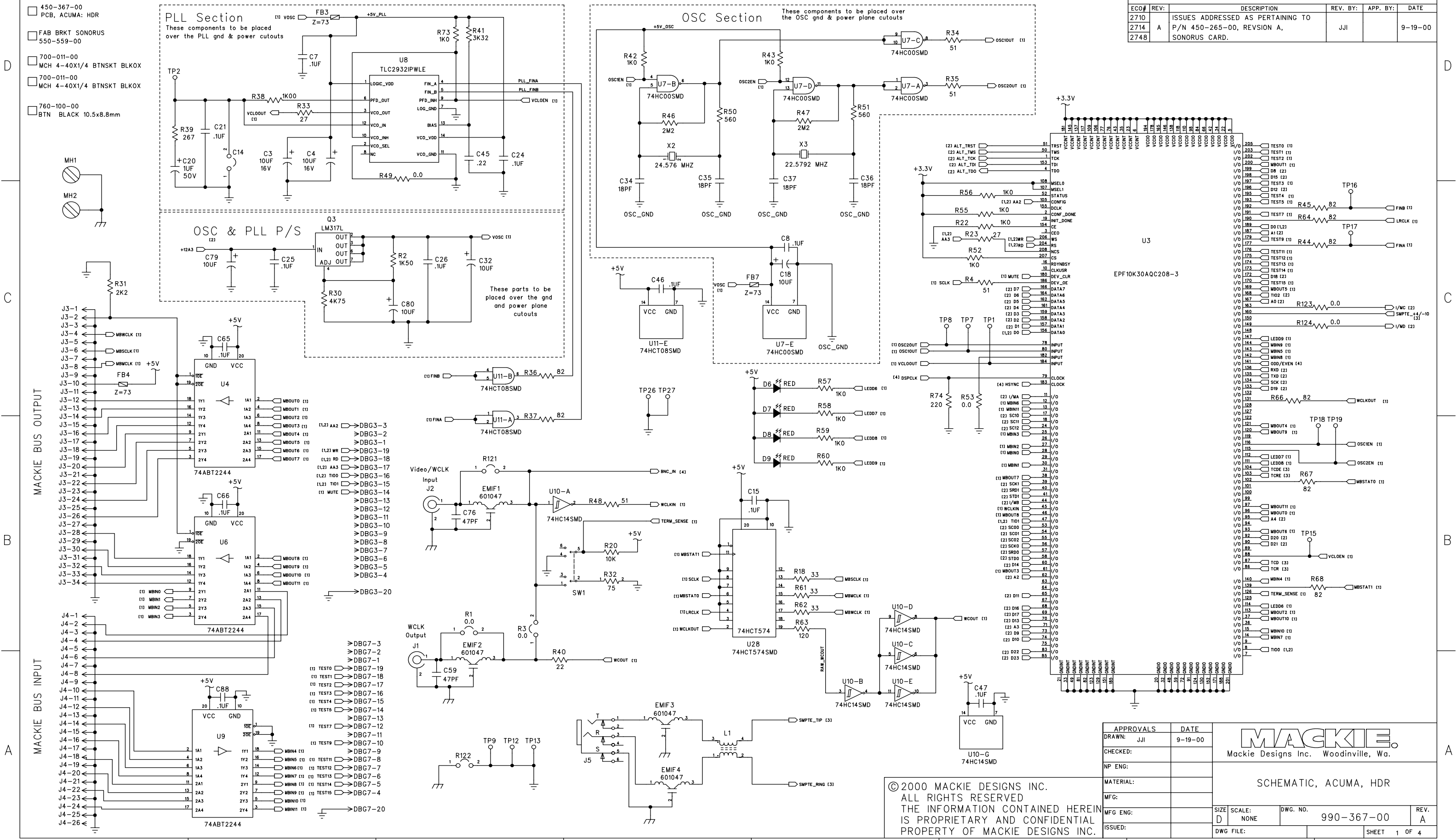


ECO#	REV:	DESCRIPTION	REV. BY:	APP. BY:	DATE
2710	A	ISSUES ADDRESSED AS PERTAINING TO	JJI		9-19-00
2714		P/N 450-265-00, REVISION A,			
2748		SONORUS CARD.			



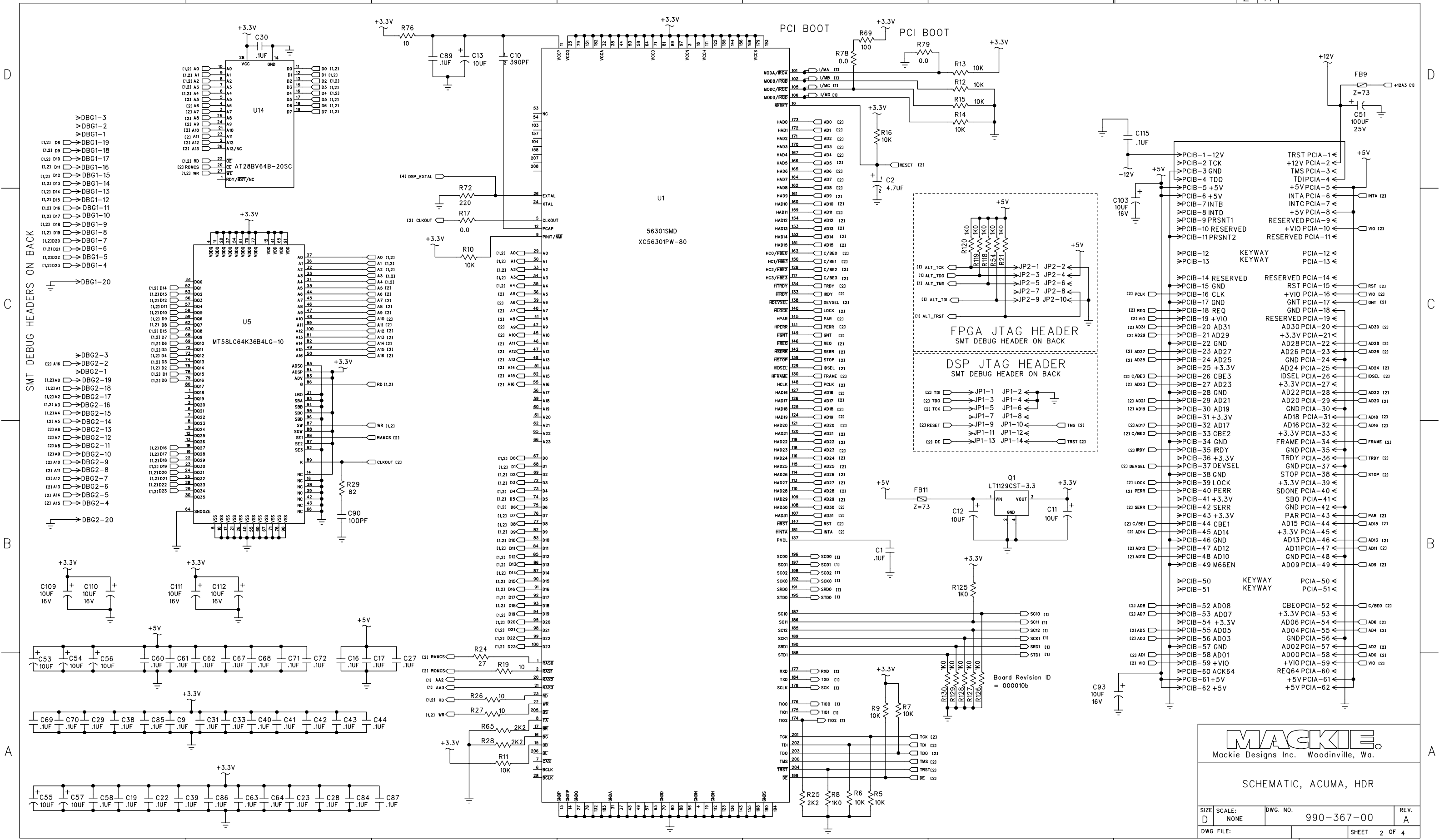
APPROVALS		DATE
DRAWN:	JJI	9-19-00
CHECKED:		
NP ENG:		
MATERIAL:		
MFG:		
MFG ENG:		
ISSUED:		

**MACKIE**  
Mackie Designs Inc. Woodinville, Wa.

SCHEMATIC, ACUMA, HDR

SIZE	SCALE:	DWG. NO.	REV.
D	NONE	990-367-00	A
DWG FILE:			SHEET 1 OF 4

© 2000 MACKIE DESIGNS INC.  
ALL RIGHTS RESERVED  
THE INFORMATION CONTAINED HEREIN  
IS PROPRIETARY AND CONFIDENTIAL  
PROPERTY OF MACKIE DESIGNS INC.

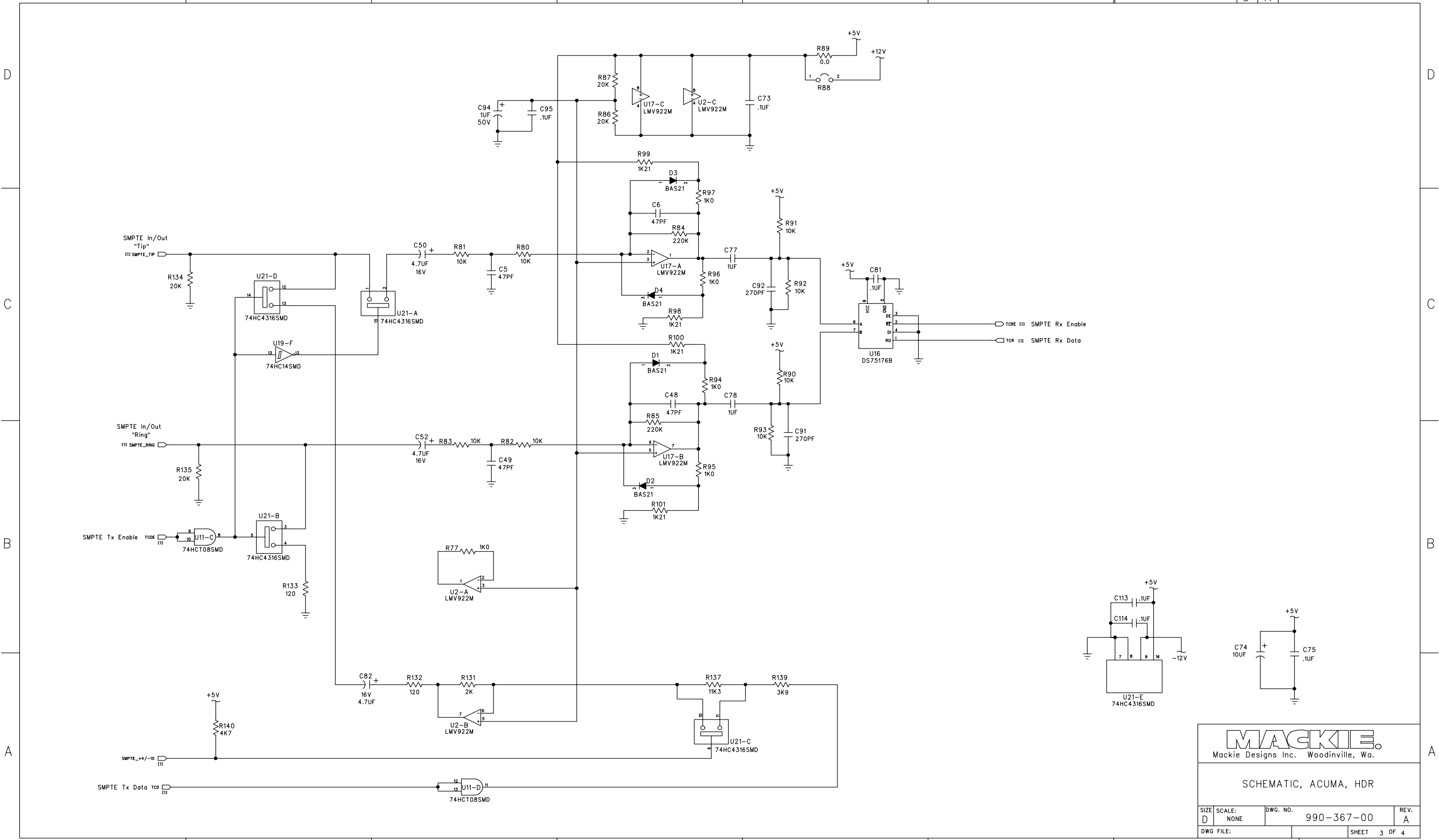


SMT DEBUG HEADERS ON BACK

**MACKIE**  
Mackie Designs Inc. Woodinville, Wa.

SCHEMATIC, ACUMA, HDR

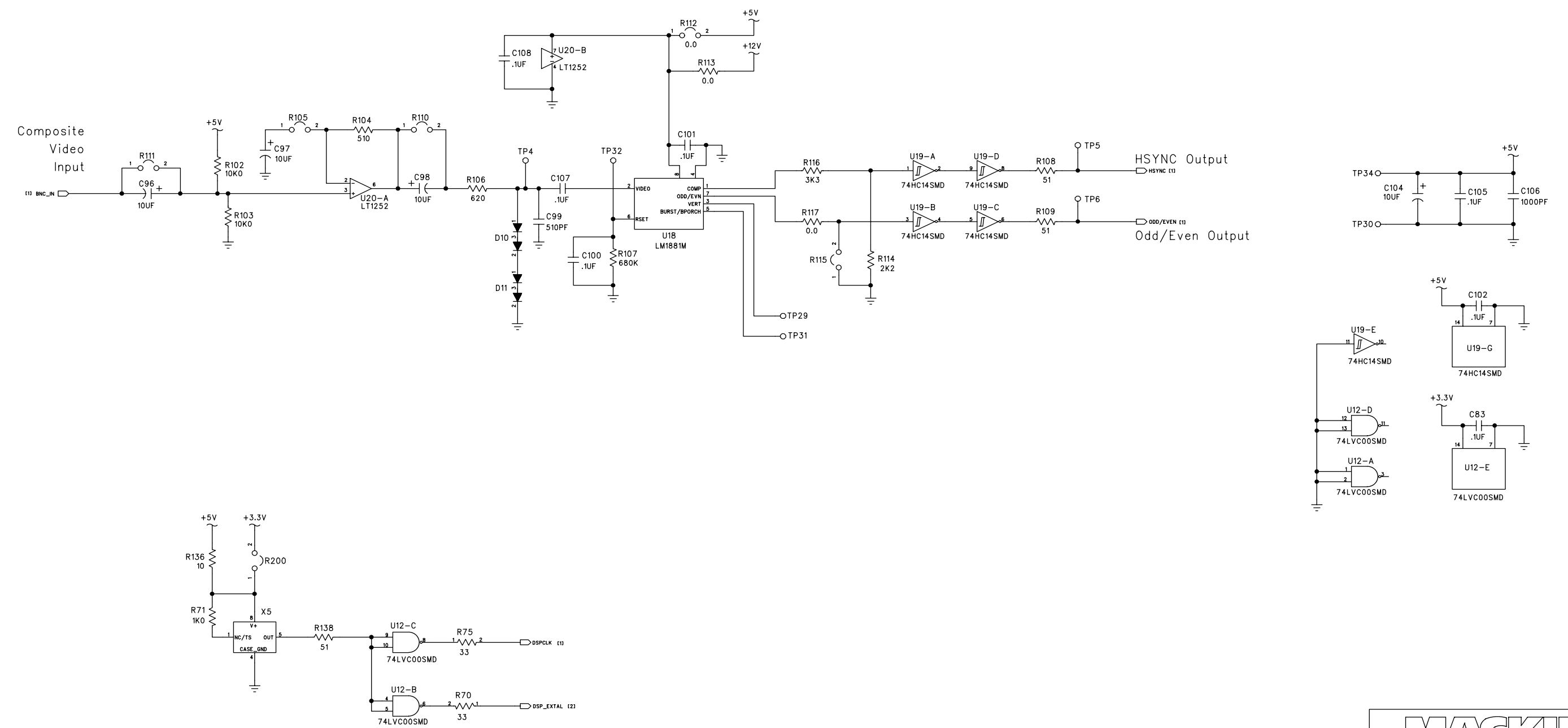
SIZE: D	SCALE: NONE	DWG. NO. 990-367-00	REV. A
DWG FILE:		SHEET 2 OF 4	



**MACKIE**  
Mackie Designs Inc. Woodinville, Wa.

SCHEMATIC, ACUMA, HDR

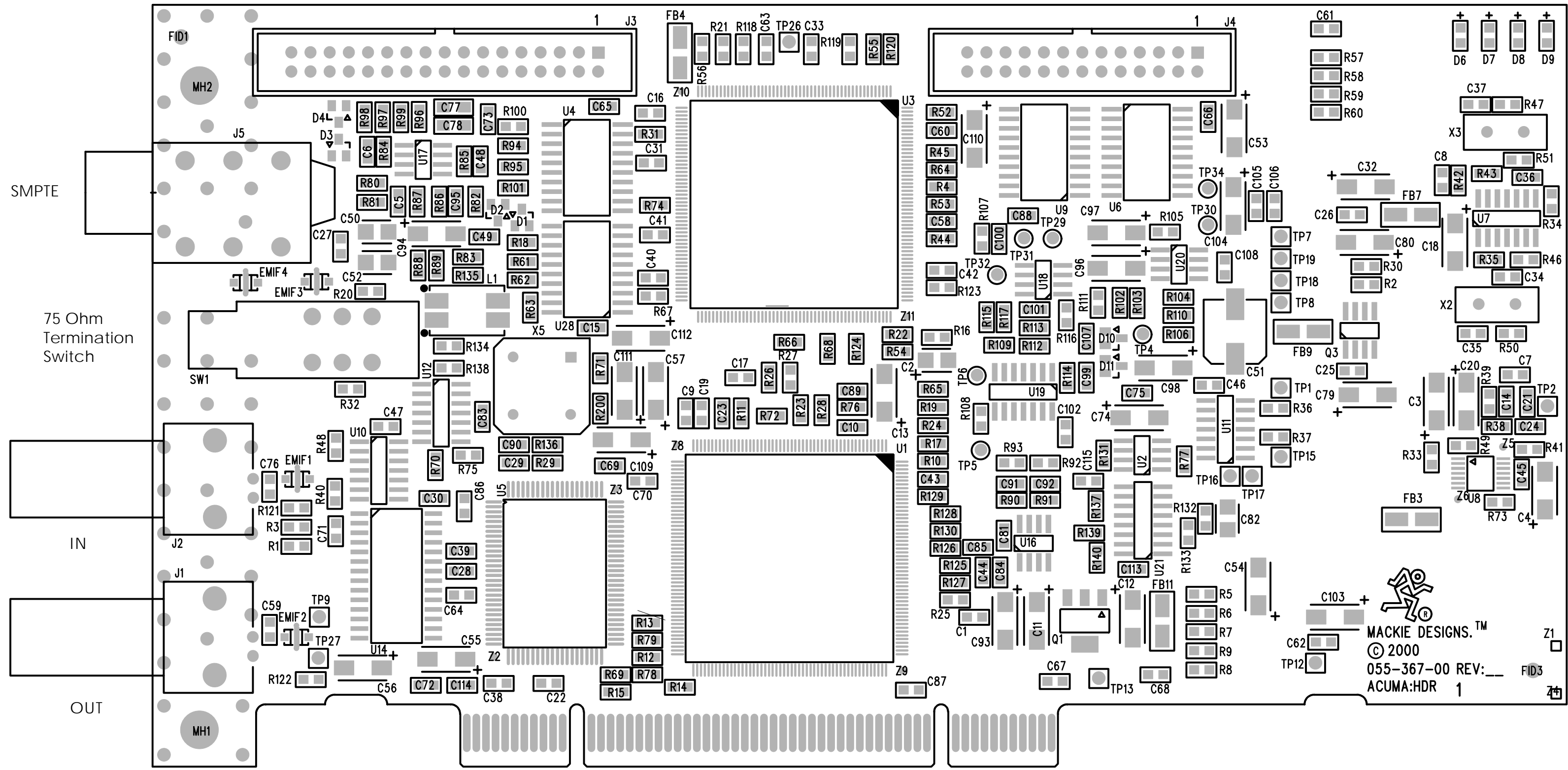
SIZE: D	SCALE: NONE	DWG. NO.: 990-367-00	REV.: A
DWG. FILE:		SHEET 3 OF 4	



**MACKIE**  
Mackie Designs Inc. Woodinville, Wa.

SCHEMATIC, ACUMA, HDR

SIZE: D	SCALE: NONE	DWG. NO.: 990-367-00	REV.: A
DWG FILE:		SHEET 4 OF 4	



SMPT


75 Ohm Termination Switch

IN

OUT

PCI Bus connector

NOTE  
This is a multi-layered board

  
**MACKIE DESIGNS.™**  
 © 2000  
 055-367-00 REV:\_\_\_  
 ACUMA:HDR 1