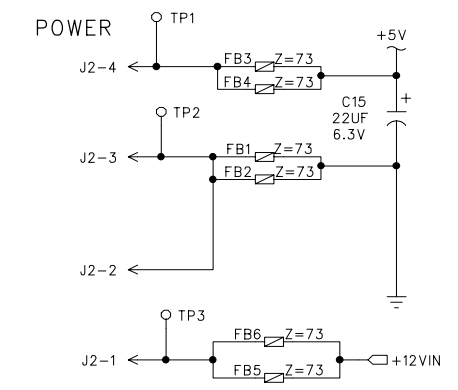
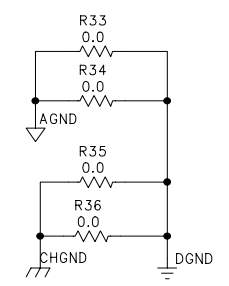
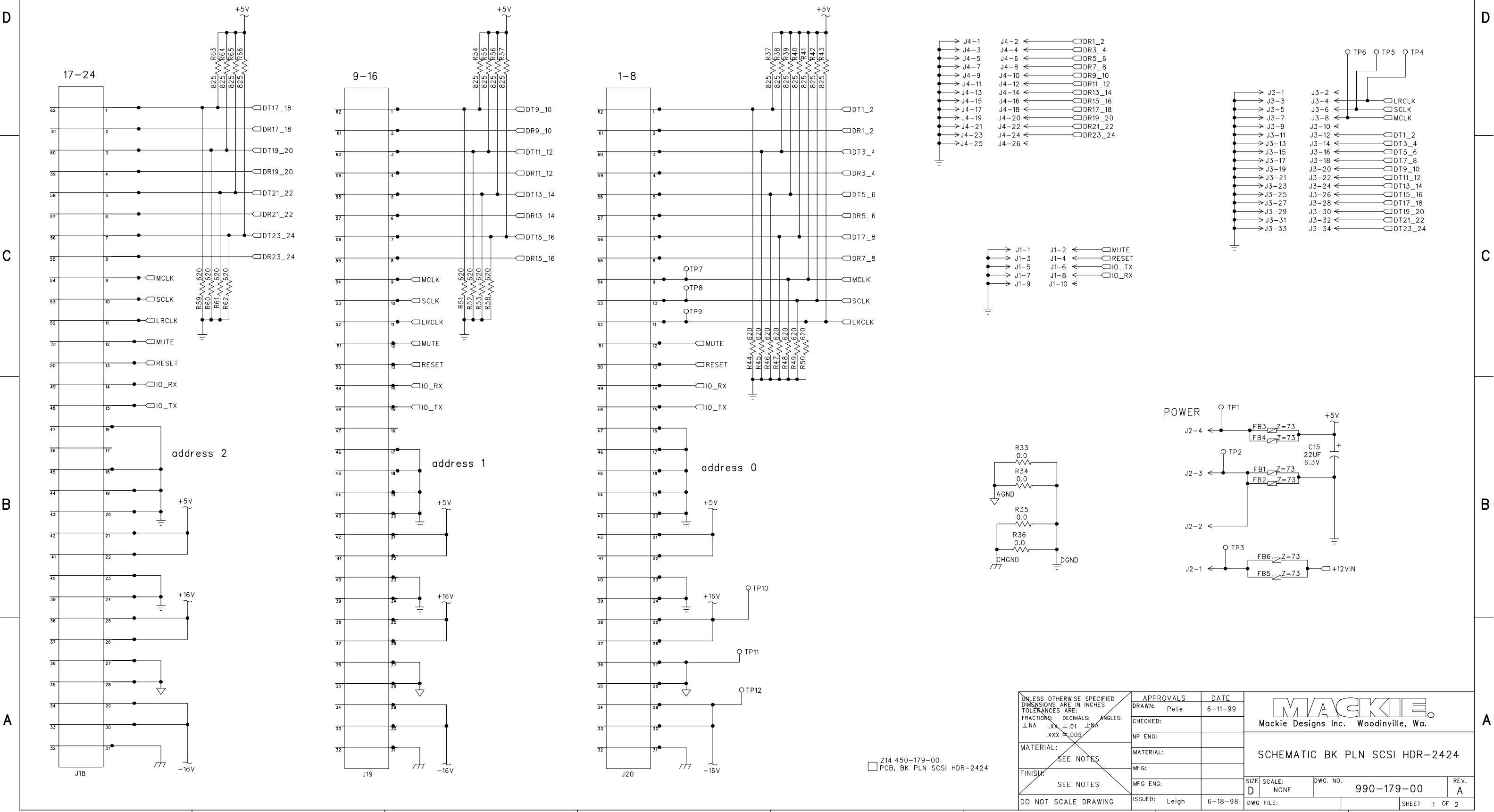


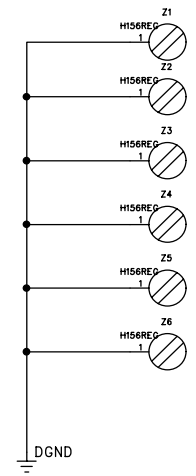
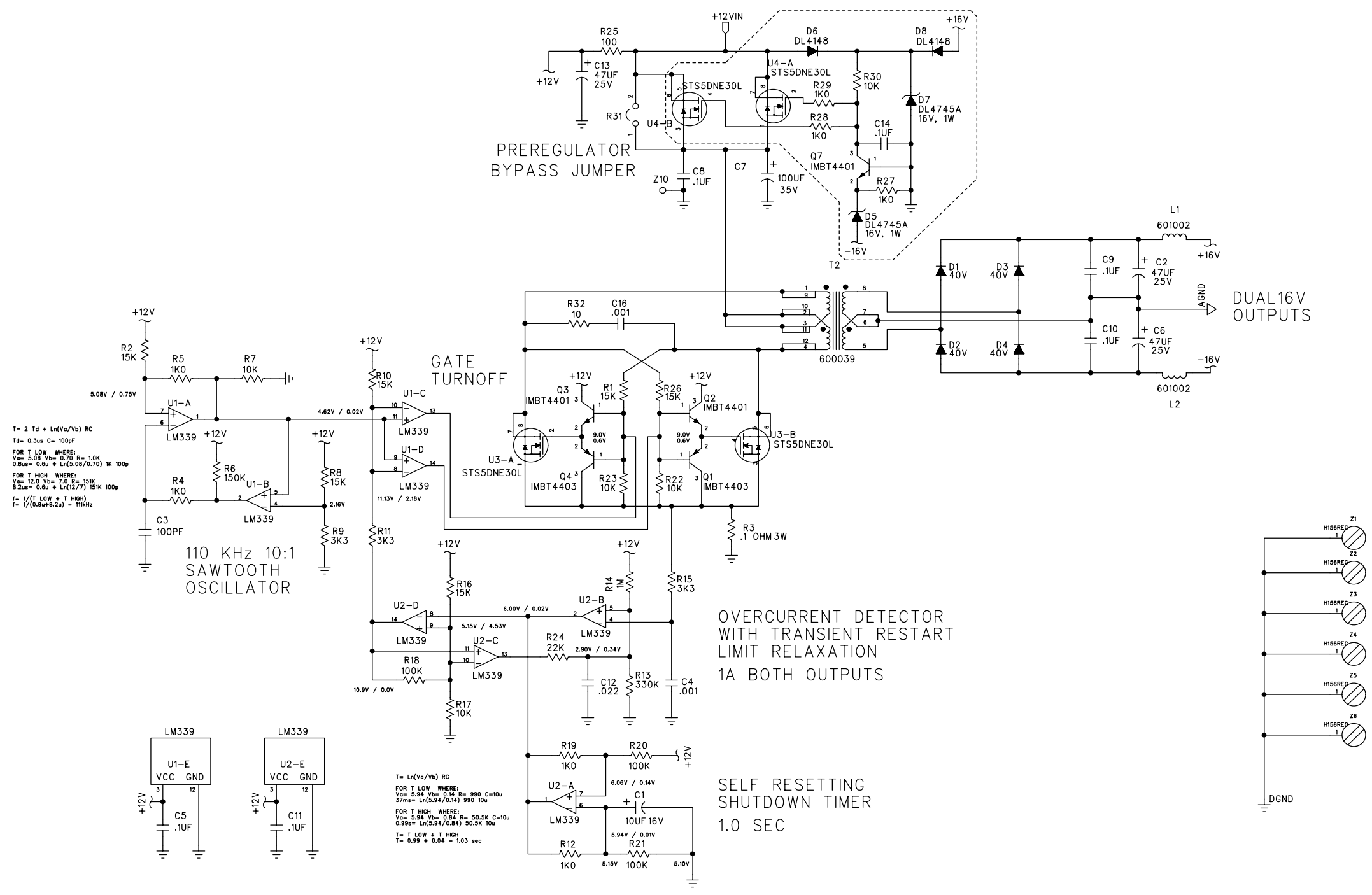
ECO#	REV:	DESCRIPTION	REV. BY:	APP. BY:	DATE
1988	C	C	WG		11-9-98



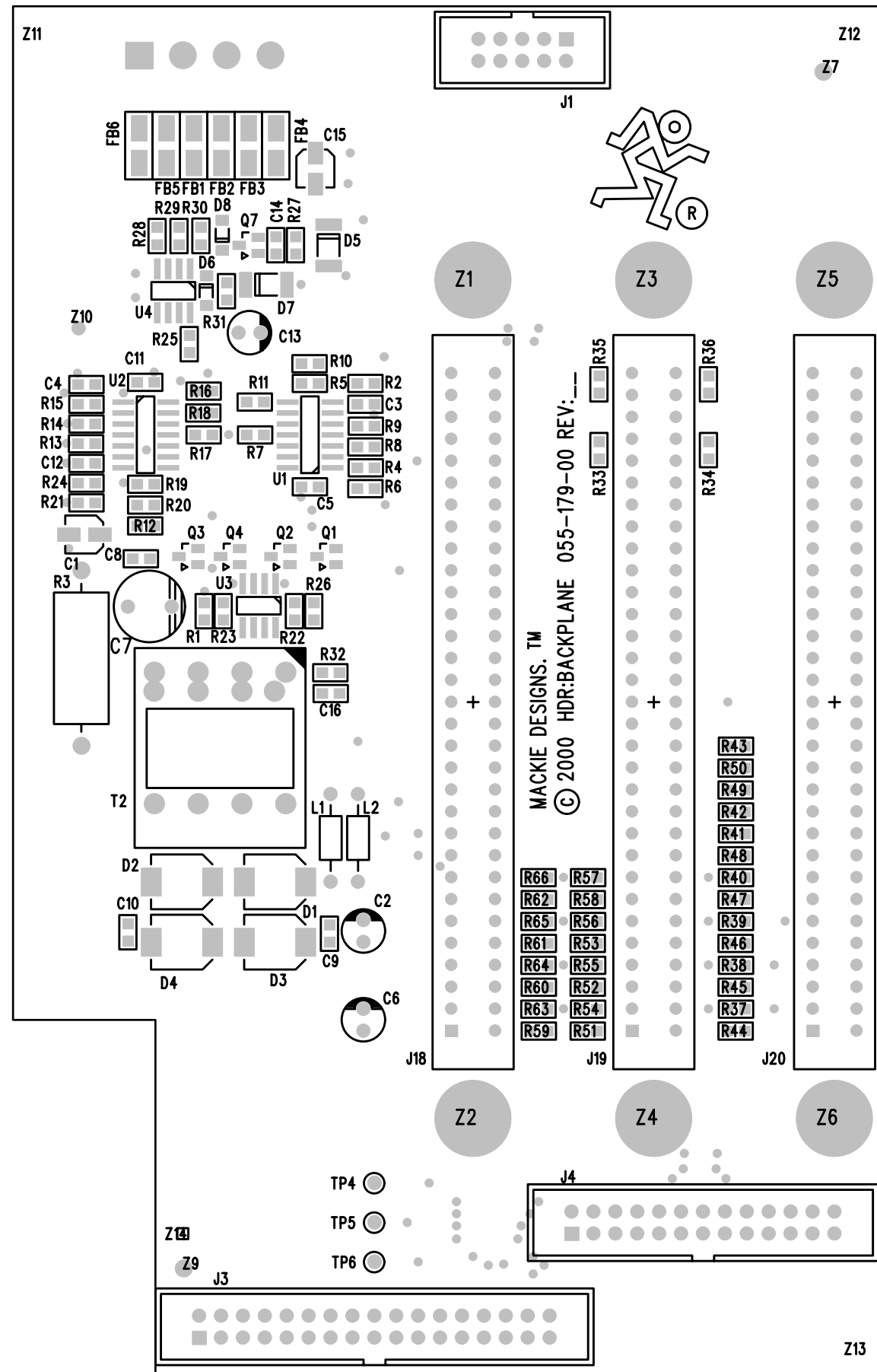
<p>UNLESS OTHERWISE SPECIFIED DIMENSIONS ARE IN INCHES TOLERANCES ARE: FRACTIONS: DECIMALS: ANGLES: ±NA .XX ±.01 ±MA .XXX ±.005</p>	APPROVALS		DATE	<p>Mackie Designs Inc. Woodinville, Wa.</p>
	DRAWN: Pete		6-11-99	
	CHECKED:			
	NP ENG:			
MATERIAL:	MATERIAL:			<p>SCHEMATIC BK PLN SCSI HDR-2424</p>
SEE NOTES	MFG:			
FINISH:	MFG ENG:			SIZE: D
DO NOT SCALE DRAWING	ISSUED: Leigh	6-18-98	DWG. NO. 990-179-00	SCALE: NONE
			DWG FILE:	REV. A
			SHEET 1 OF 2	

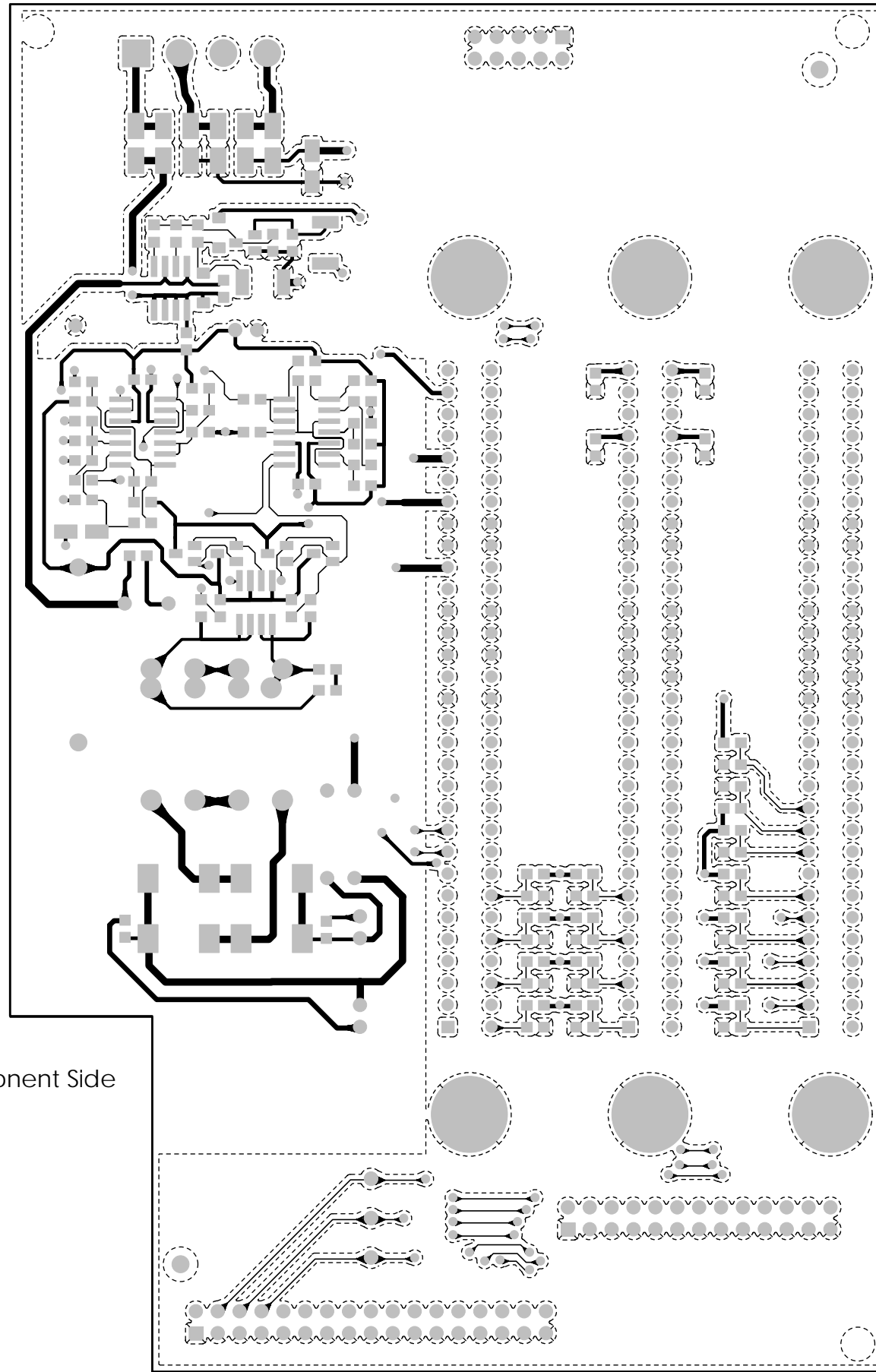
Z14 450-179-00
PCB, BK PLN SCSI HDR-2424

OPTIONAL, LOW DROP OUT
SERIES PASS PREREGULATOR

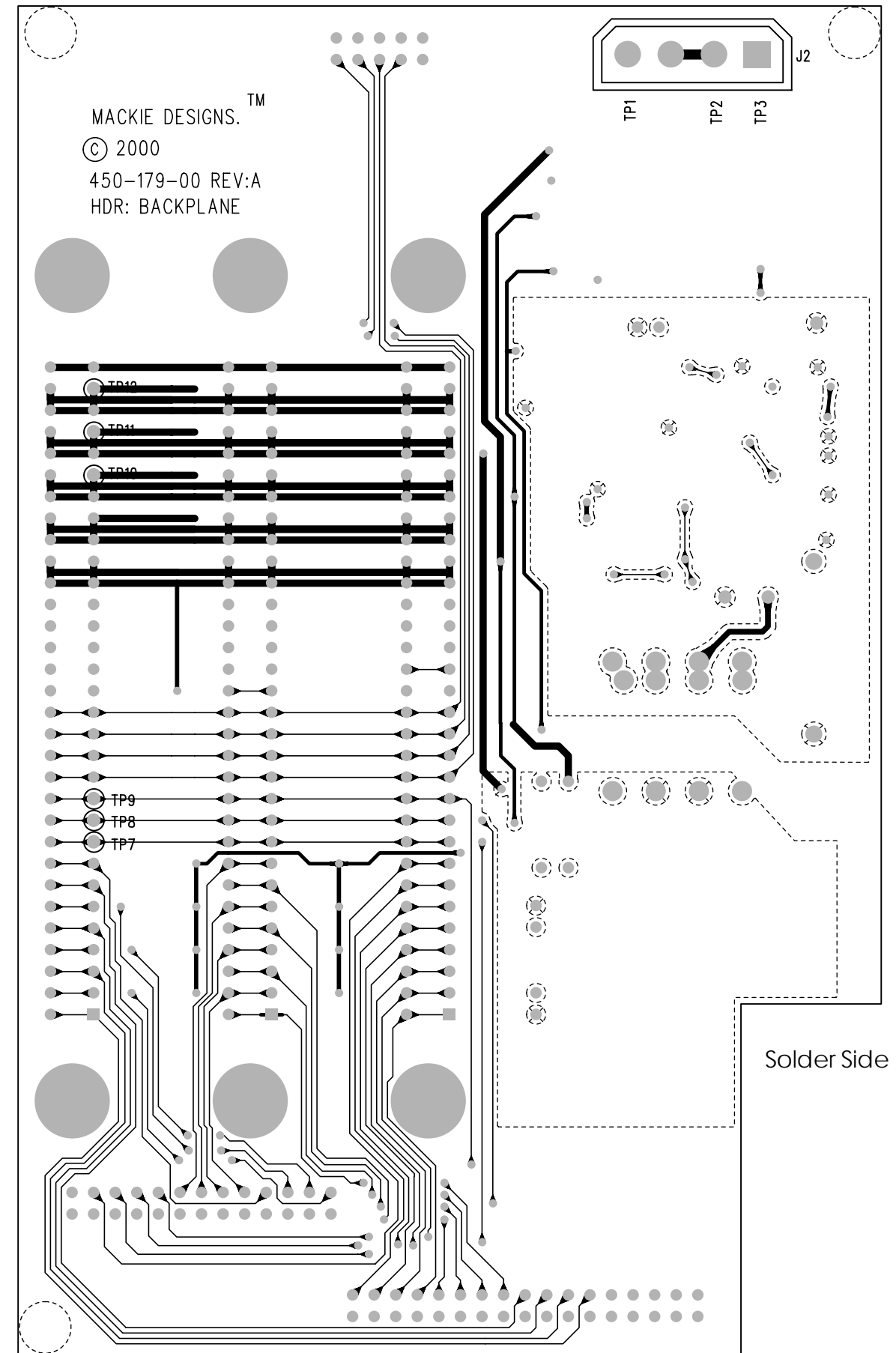


UNLESS OTHERWISE SPECIFIED DIMENSIONS ARE IN INCHES TOLERANCES ARE: FRACTIONS: DECIMALS: ANGLES: ±NA .XX ±.01 ±MA .XXX ±.005	APPROVALS	DATE	MACKIE Mackie Designs Inc. Woodinville, Wa.
	DRAWN: PETE	6-11-99	
MATERIAL: SEE NOTES	CHECKED:		SCHEMATIC BK PLN SCSI HDR-2424
	NP ENG:		
FINISH: SEE NOTES	MATERIAL:		SIZE SCALE: DWG. NO. REV. D NONE 990-179-00 A
	MFG:		
DO NOT SCALE DRAWING	MFG ENG:		DWG FILE: SHEET 2 OF 2
	ISSUED:		





Component Side



Solder Side